

CONDADO WINDOW

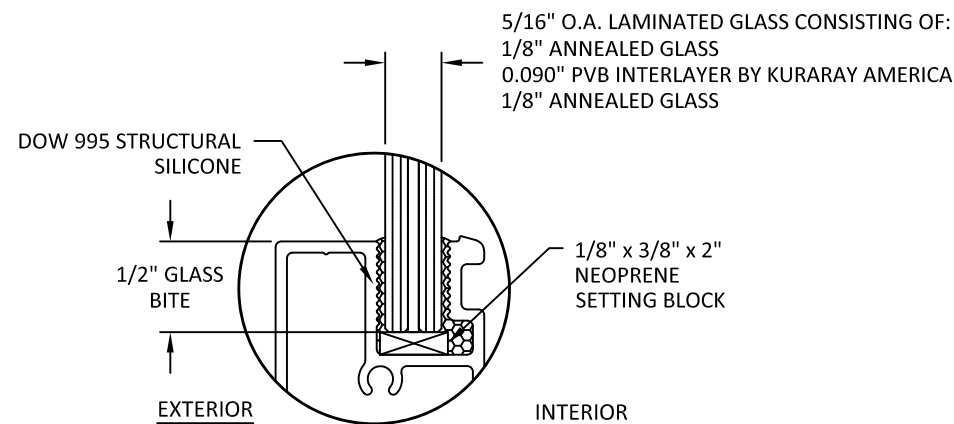
325 SERIES DOUBLE HUNG WINDOW (HVHZ) (IMPACT)

GENERAL NOTES:

- THE PRODUCT SHOWN HEREIN IS DESIGNED AND MANUFACTURED TO COMPLY WITH THE CURRENT FLORIDA BUILDING CODE (FBC), **INCLUDING** HVHZ AND HAS BEEN EVALUATED ACCORDING TO THE FOLLOWING:
 - TAS 201-94
 - TAS 202-94
 - TAS 203-94
- ADEQUACY OF THE EXISTING STRUCTURAL CONCRETE/MASONRY OR 2X FRAMING AS A MAIN WIND FORCE RESISTING SYSTEM CAPABLE OF WITHSTANDING AND TRANSFERRING APPLIED PRODUCT LOADS TO THE FOUNDATION IS THE RESPONSIBILITY OF THE ENGINEER OR ARCHITECT OF RECORD FOR THE PROJECT OF INSTALLATION.
- 1X AND 2X BUCKS (WHEN USED) SHALL BE DESIGNED AND ANCHORED TO PROPERLY TRANSFER ALL LOADS TO THE STRUCTURE. BUCK DESIGN AND INSTALLATION IS THE RESPONSIBILITY OF THE ENGINEER OR ARCHITECT OF RECORD FOR THE PROJECT OF INSTALLATION.
- THE INSTALLATION DETAILS DESCRIBED HEREIN ARE GENERIC AND MAY NOT REFLECT ACTUAL CONDITIONS FOR A SPECIFIC SITE. IF SITE CONDITIONS CAUSE INSTALLATION TO DEVIATE FROM THE REQUIREMENTS DETAILED HEREIN, A LICENSED ENGINEER OR ARCHITECT SHALL PREPARE SITE SPECIFIC DOCUMENTS FOR USE WITH THIS DOCUMENT.
- APPROVED IMPACT PROTECTIVE SYSTEM **IS NOT REQUIRED** ON THIS PRODUCT IN AREAS REQUIRING IMPACT RESISTANCE.
- DESIGNATIONS "X" AND "O" STAND FOR THE FOLLOWING:
 - X: OPERABLE SASH
 - O: FIXED SASH
- WINDOW FRAME MATERIAL: ALUMINUM 6063-T6
- DISSIMILAR METALS INCLUDING FASTENERS THAT MAY COME INTO CONTACT WITH ALUMINUM UNIT FRAMING SHALL BE PROTECTED IN ACCORDANCE WITH FBC.
- GLASS MEETS THE REQUIREMENTS OF ASTM E 1300 GLASS CHARTS SHEE SHEET 1 FOR GLAZING DETAIL.

TABLE OF CONTENTS	
SHEET	SHEET DESCRIPTION
1	GENERAL NOTES & GLAZING DETAIL
2	ELEVATIONS, DP TABLE AND ANCHOR LAYOUT
3	VERTICAL SECTIONS
4	HORIZONTAL SECTIONS
5	ANCHOR DETAILS, INSTALLATION NOTES & ANCHOR SCHEDULE
6	ANCHOR DETAILS, INSTALLATION NOTES & ANCHOR SCHEDULE

DESIGN PRESSURE RATING	
DESIGN PRESSURE	MISSILE IMPACT RATING
SEE SHEET 2	LARGE & SMALL MISSILE IMPACT RATED



GLAZING DETAIL 1

- GLAZING NOTES:**
- GLASS TYPE AND THICKNESS COMPLIES WITH ASTM E1300 REQUIREMENTS AS WELL AS APPLICABLE SAFETY GLAZING REQUIREMENTS PER THE FBC. THICKNESS, TEMPER, AND SAFETY GLAZING REQUIREMENTS SHALL BE REVIEWED ON A SITE SPECIFIC BASIS.
 - SETTING BLOCK DUROMETER HARDNESS OF 70-90 (SHORE A) AS REFERENCED IN FBC CHAPTER 24.
 - SETTING BLOCKS TO BE LOCATED AT 1/4 SPAN LENGTH FOR GLASS WIDER THAN 36" AS PER FBC CHAPTER 24.
 - D.L.O. AND DESIGN PRESSURES MAY NOT EXCEED MAX VALUES SHOWN HEREIN.

CONDADO WINDOW
903RH TODD AVENUE SAN JUAN,
PUERTO RICO 00907
PH: (787)723-5469 FAX: (787)722-1395

TITLE: 325 SERIES
DOUBLE HUNG WINDOW
(HVHZ) (IMPACT)

GENERAL NOTES & GLAZING DETAIL

PREPARED BY: BUILDING DROPS, INC.
1900 NE MIAMI COURT, STE. 2-15
MIAMI, FL 33132
PH: (954)399-8478
FAX: (954)744-4738
WEB: www.buildingdrops.com

REMARKS	BY	DATE

THE INSTALLATION DETAILS DESCRIBED HEREIN ARE GENERIC AND MAY NOT REFLECT ACTUAL CONDITIONS FOR A SPECIFIC SITE. IF SITE CONDITIONS CAUSE INSTALLATION TO DEVIATE FROM THE REQUIREMENTS DETAILED HEREIN, A LICENSED ENGINEER OR ARCHITECT SHALL PREPARE SITE SPECIFIC DOCUMENTS FOR USE WITH THIS DOCUMENT

Digitally signed by Hermes F. Norero, P.E.
Reason: I am approving this document
Date: 2024.05.02 13:46:04 -04'00'

HERMES F. NORERO, P.E.
FLORIDA LICENSE NO. 73778
1900 NE MIAMI COURT, #2-15
MIAMI, FL 33132
FBPE CERT. OF AUTHORIZATION No. 29578

FL #: **FL40552**

DATE: **04.23.24**

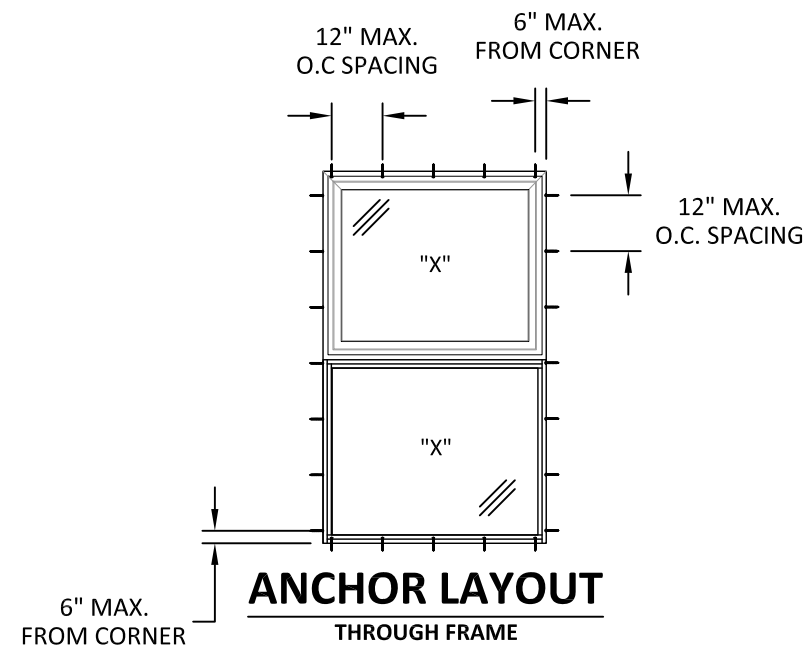
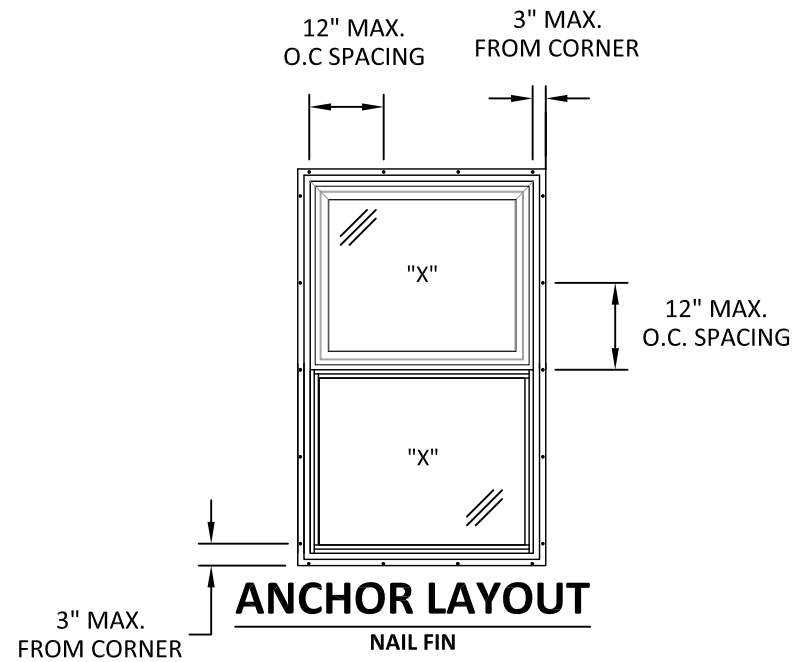
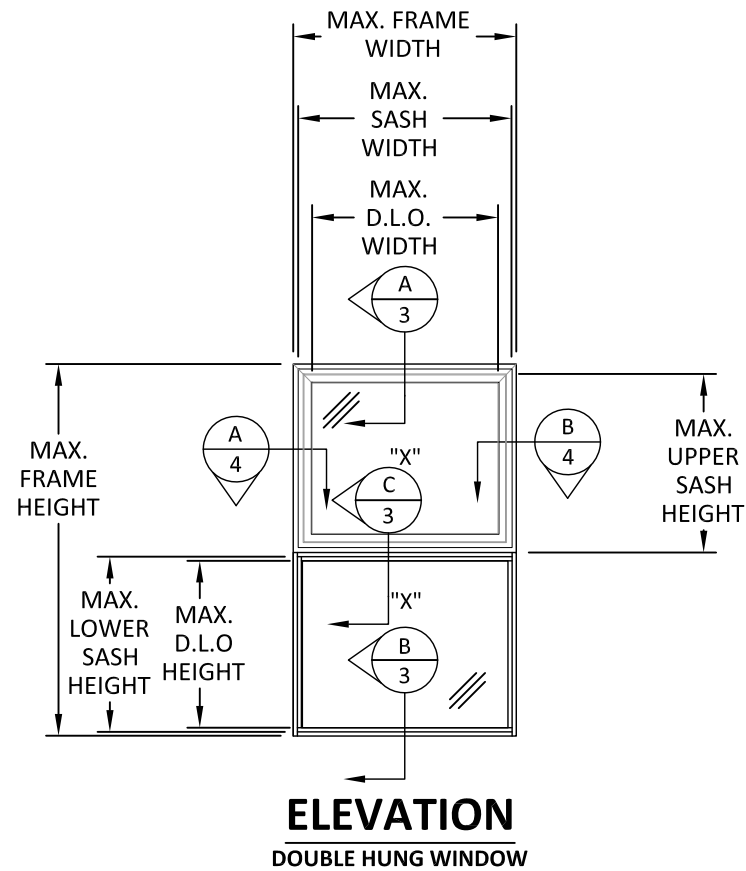
DWG. BY: **DI** CHK. BY: **HFN**

SCALE: **NTS**

DWG. #: **CDW012**

SHEET: **1** OF 6

5/7/2024 11:38 AM
c:\users\dylanwata\building_drops, inc\building_drops landing - common\projects\condado window\fb-24-0225.4 - fb- submittal - standalone aluminum windows and doors\dwg\cdw012.dwg

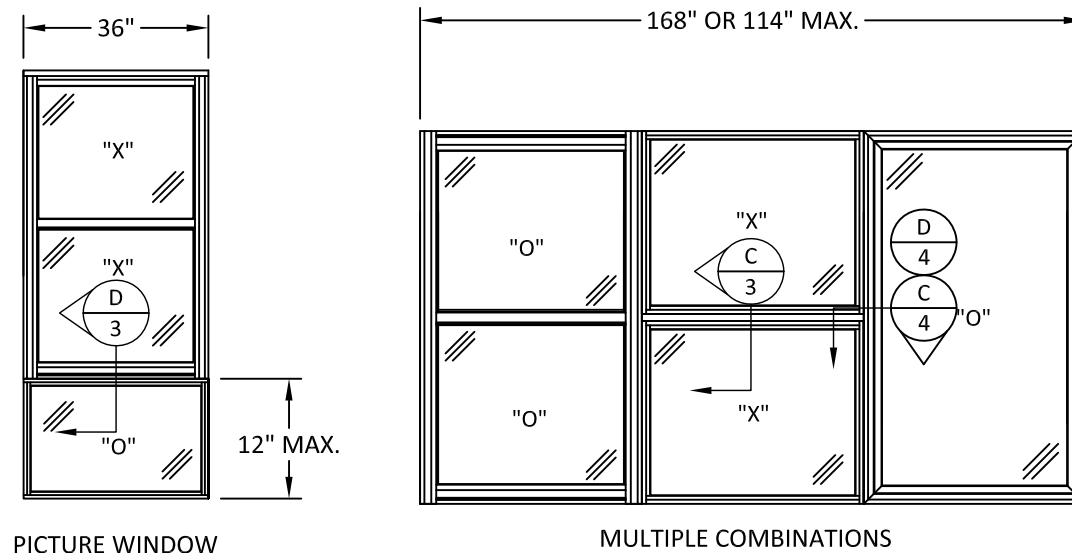


- LOWER SASH WIDTH = FRAME WIDTH - 3"
- UPPER SASH WIDTH = FRAME WIDTH - 3-3/4"
- SASH HEIGHT = FRAME HEIGHT / 2 - 3"
- D.L.O WIDTH = FRAME WIDTH - 5-7/8"
- D.L.O HEIGHT = FRAME HEIGHT / 2 - 3-9/16"

WINDOW FRAME HEIGHT (IN.)	WINDOW FRAME WIDTH (IN.)	DESIGN PRESSURE
60	36	100.0
52	40	90.0
48	44	81.8

WINDOW FRAME HEIGHT (IN.)	60	52	48
WINDOW FRAME WIDTH (IN.)	36	40	44
DESIGN PRESSURE	100.0	90.0	81.8

NOTE:
DESIGN PRESSURE TABLES ARE APPLICABLE TO SINGLE OR MULTIPLE CONFIGURATIONS WHEN MULLED SIDE-BY-SIDE OR OVER ONE ANOTHER.



TYPICAL APPROVED CONFIGURATIONS

NOTE:
EXAMPLE CONFIGURATIONS SHOWN. OTHER CONFIGURATIONS ARE QUALIFIED USING MULLIONS SHOWN HEREIN. CONFIGURATIONS SHALL BE LIMITED TO THE LOWEST DESIGN PRESSURE AS DETERMINED BY THIS WINDOW APPROVAL, MULLION CAPACITY CHART, AND WINDOWS UNDER SEPARATE APPROVAL.



CONDADO WINDOW
903RH TODD AVENUE SAN JUAN,
PUERTO RICO 00907
PH: (787)723-5469 FAX: (787)722-1395

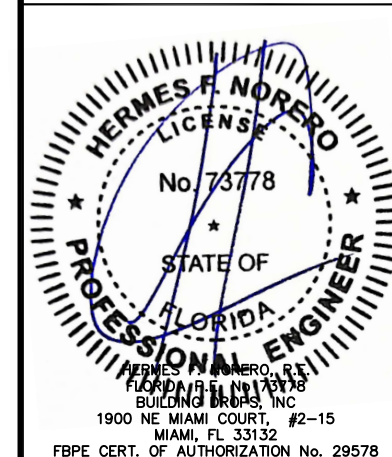
TITLE: **325 SERIES**
DOUBLE HUNG WINDOW
(HVHZ) (IMPACT)
ELEVATIONS

PREPARED BY: **BUILDING DROPS, INC.**
1900 NE MIAMI COURT, STE. 2-15
MIAMI, FL 33132
PH: (954)399-8478
FAX: (954)744-4738
WEB: www.buildingdrops.com



REMARKS	BY	DATE

THE INSTALLATION DETAILS DESCRIBED HEREIN ARE GENERIC AND MAY NOT REFLECT ACTUAL CONDITIONS FOR A SPECIFIC SITE. IF SITE CONDITIONS CAUSE INSTALLATION TO DEVIATE FROM THE REQUIREMENTS DETAILED HEREIN, A LICENSED ENGINEER OR ARCHITECT SHALL PREPARE SITE SPECIFIC DOCUMENTS FOR USE WITH THIS DOCUMENT



FL #: **FL40552**

DATE: **04.23.24**

DWG. BY: **DI** CHK. BY: **HFN**

SCALE: **NTS**

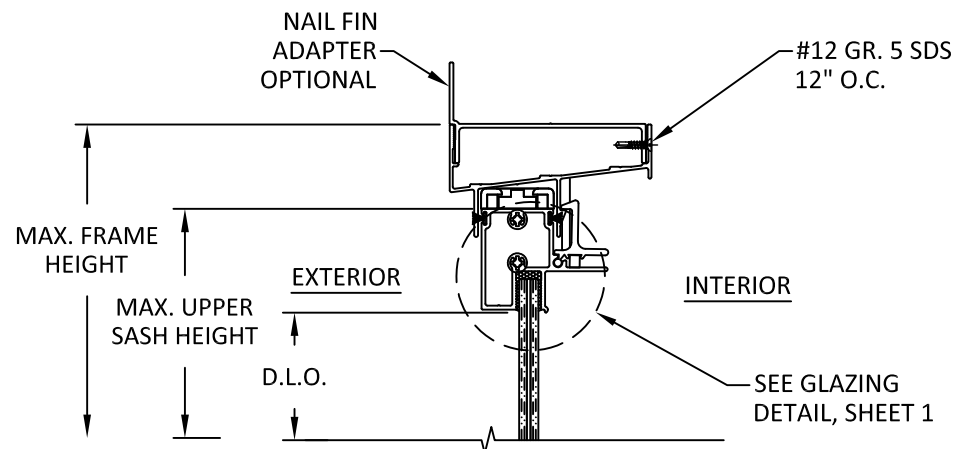
DWG. #: **CDW012**

SHEET:

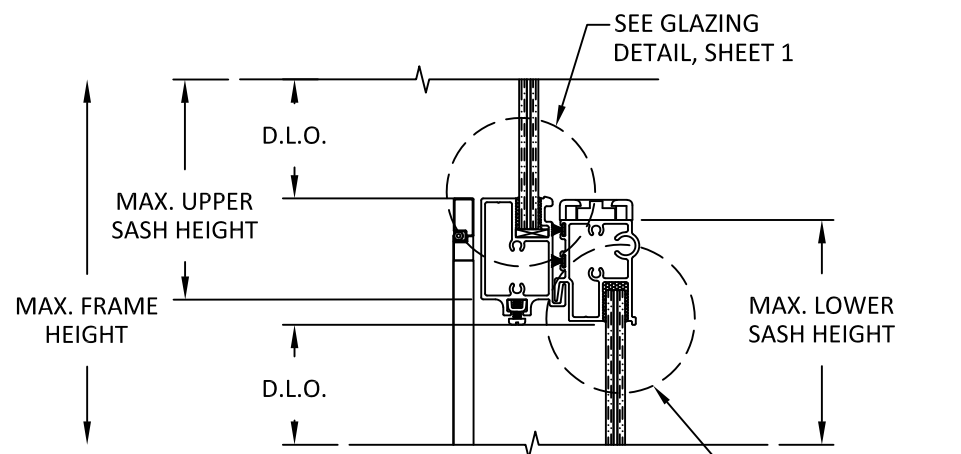
2

OF 6

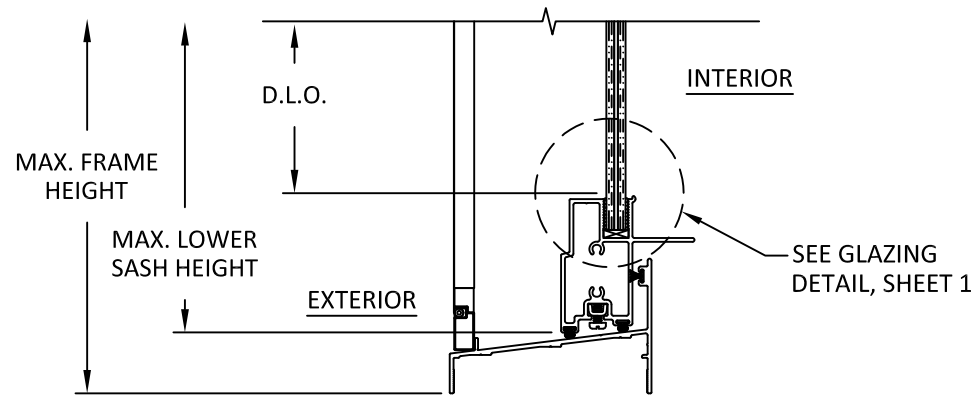
c:\users\dylanwata\building_drops, inc\building_drops landing - common\projects\condado window\fb-24-0225.4 - fbc submittal - standalone aluminum windows and doors\dwg\double hung\cdw012.dwg
 5/2/2024 11:38 AM



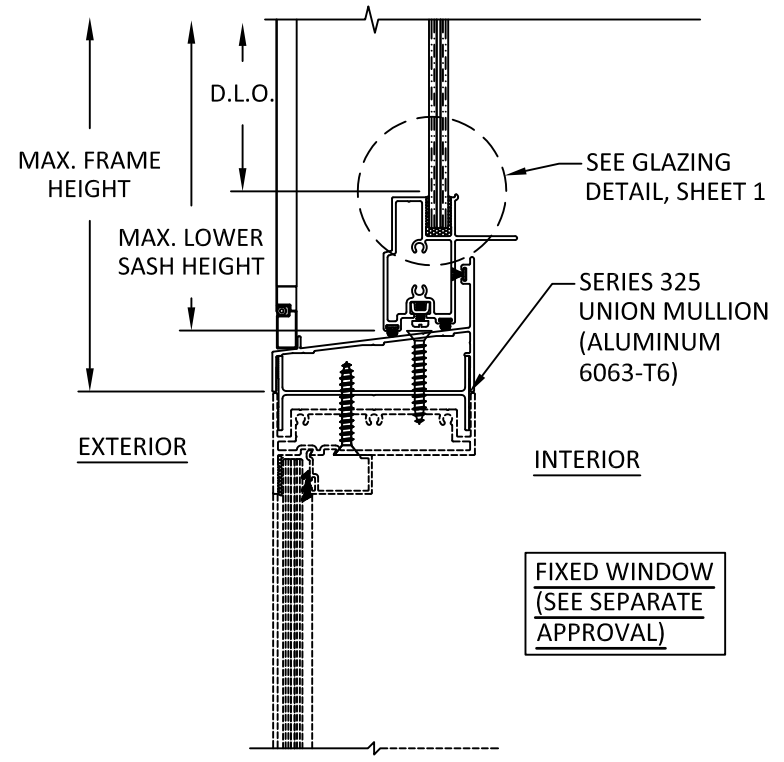
A
3
VERTICAL SECTION
 HEAD DETAIL
 NAIL FIN ADAPTER SHOWN



C
3
VERTICAL SECTION
 MEETING STILE DETAIL



B
3
VERTICAL SECTION
 SILL DETAIL



D
3
VERTICAL SECTION
 MULLED DOUBLE HUNG WINDOW

FIXED WINDOW
 (SEE SEPARATE
 APPROVAL)

CONDADO WINDOW
 903RH TODD AVENUE SAN JUAN,
 PUERTO RICO 00907
 PH: (787)723-5469 FAX: (787)722-1395

TITLE: **325 SERIES DOUBLE HUNG WINDOW (HVHZ) (IMPACT) VERTICAL SECTIONS**

PREPARED BY: **BUILDING DROPS, INC.**
 1900 NE MIAMI COURT, STE. 2-15
 MIAMI, FL 33132
 PH: (954)399-8478
 FAX: (954)744-4738
 WEB: www.buildingdrops.com

REMARKS	BY	DATE

THE INSTALLATION DETAILS DESCRIBED HEREIN ARE GENERIC AND MAY NOT REFLECT ACTUAL CONDITIONS FOR A SPECIFIC SITE. IF SITE CONDITIONS CAUSE INSTALLATION TO DEVIATE FROM THE REQUIREMENTS DETAILED HEREIN, A LICENSED ENGINEER OR ARCHITECT SHALL PREPARE SITE SPECIFIC DOCUMENTS FOR USE WITH THIS DOCUMENT

HERMES F. NORERO
 LICENSE
 No. 73778
 STATE OF
 FLORIDA
PROFESSIONAL ENGINEER

HERMES F. NORERO, P.E.
 FLORIDA LICENSE NO. 73778
 BUILDING DROPS, INC.
 1900 NE MIAMI COURT, #2-15
 MIAMI, FL 33132
 FBPE CERT. OF AUTHORIZATION No. 29578

FL #: **FL40552**

DATE: **04.23.24**

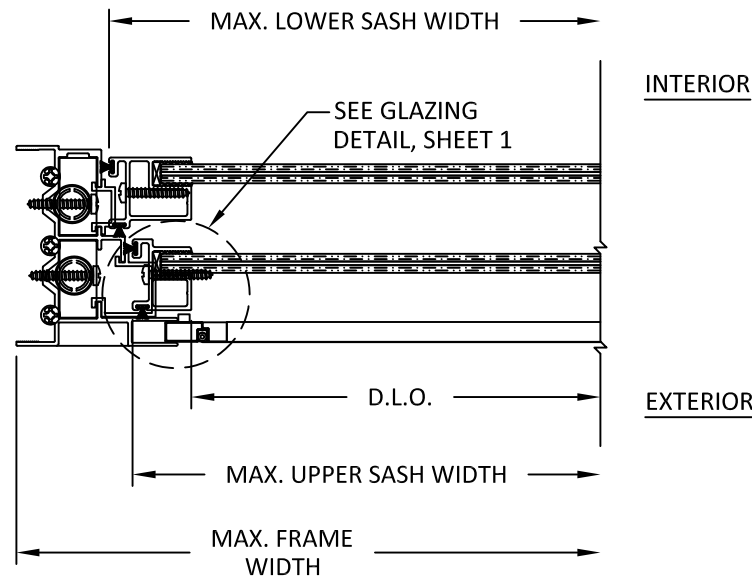
DWG. BY: DI	CHK. BY: HFN
-----------------------	------------------------

SCALE: **NTS**

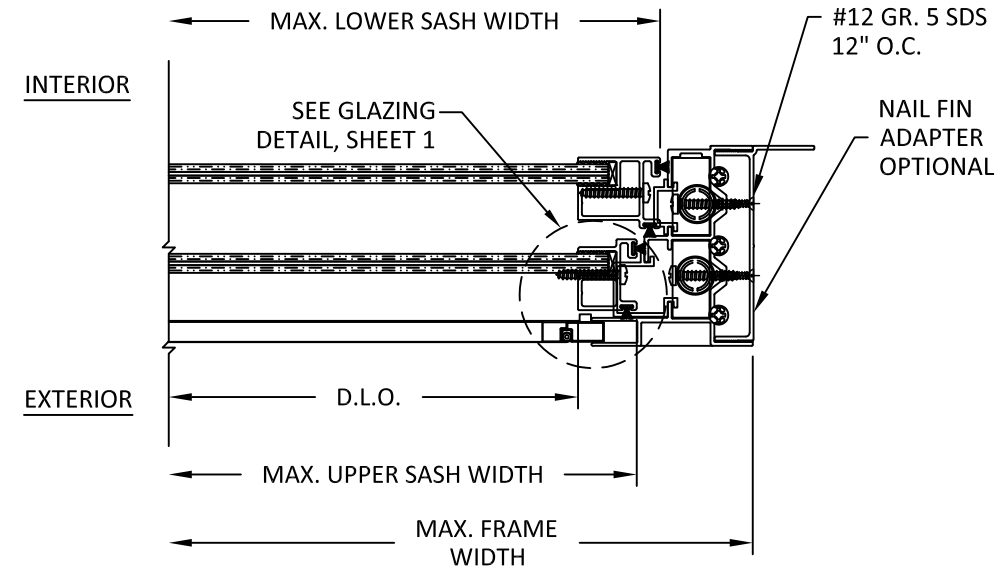
DWG. #: **CDW012**

SHEET:
3
 OF 6

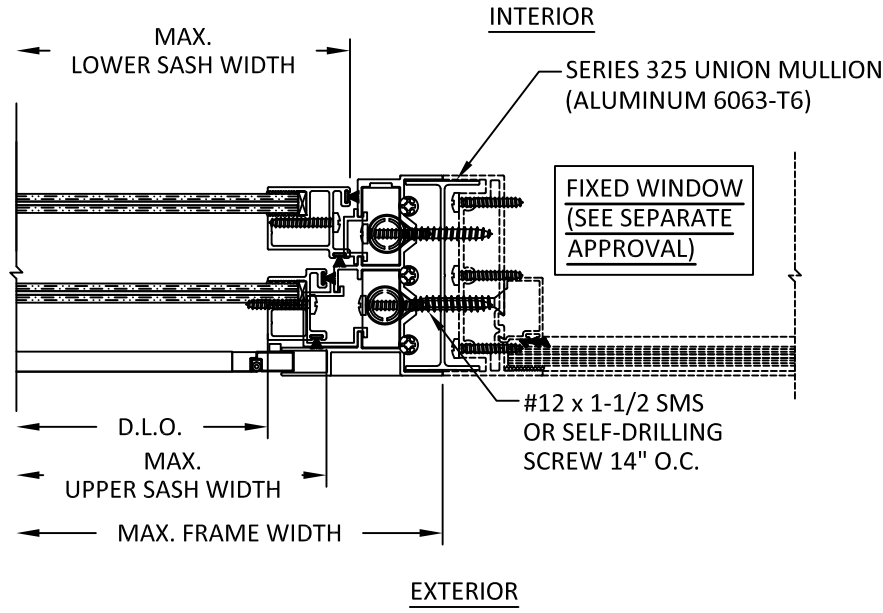
c:\users\dylanwata\building_drops, inc\building_drops landing - common\projects\condado window\fb-24-0225.4 - fbc submittal - standalone aluminum windows and doors\dwg\cdw012.dwg 5/2/2024 11:38 AM



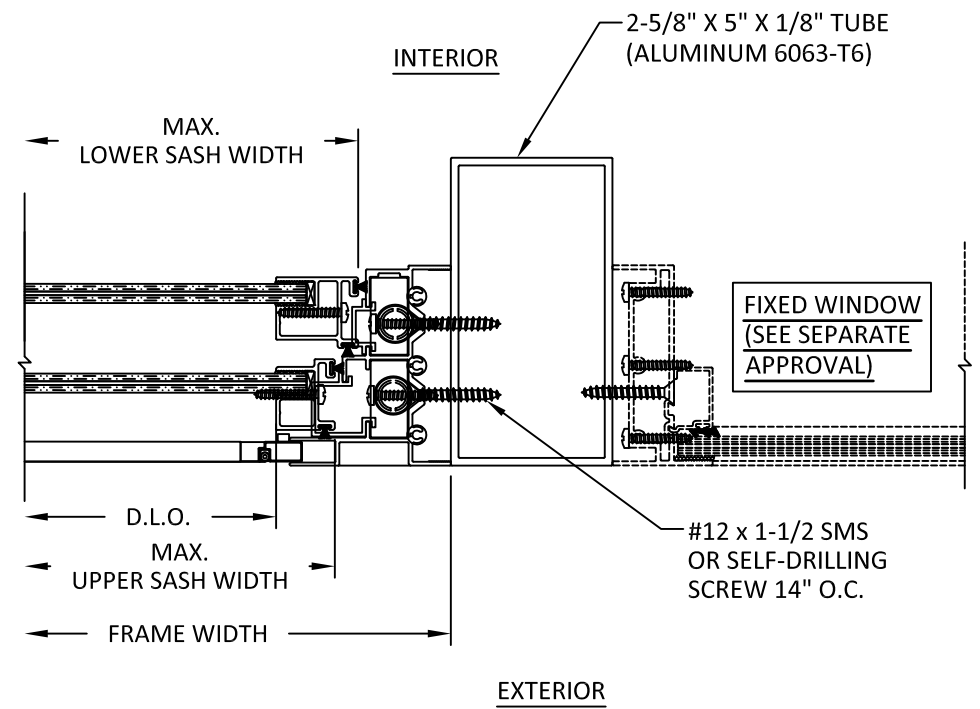
A
4 **HORIZONTAL SECTION**
LEFT JAMB DETAIL



B
4 **HORIZONTAL SECTION**
RIGHT JAMB DETAIL
NAIL FIN ADAPTER SHOWN



C
4 **HORIZONTAL SECTION**
DOUBLE HUNG TO FIXED



D
4 **HORIZONTAL SECTION**
DOUBLE HUNG TO FIXED

CONDADO WINDOW
903RH TODD AVENUE SAN JUAN,
PUERTO RICO 00907
PH: (787)723-5469 FAX: (787)722-1395

TITLE: **325 SERIES DOUBLE HUNG WINDOW (HVHZ) (IMPACT) HORIZONTAL SECTIONS**

PREPARED BY: **BUILDING DROPS, INC.**
1900 NE MIAMI COURT, STE. 2-15
MIAMI, FL 33132
PH: (954)399-8478
FAX: (954)744-4738
WEB: www.buildingdrops.com

REMARKS	BY	DATE

THE INSTALLATION DETAILS DESCRIBED HEREIN ARE GENERIC AND MAY NOT REFLECT ACTUAL CONDITIONS FOR A SPECIFIC SITE. IF SITE CONDITIONS CAUSE INSTALLATION TO DEVIATE FROM THE REQUIREMENTS DETAILED HEREIN, A LICENSED ENGINEER OR ARCHITECT SHALL PREPARE SITE SPECIFIC DOCUMENTS FOR USE WITH THIS DOCUMENT

HERMES F. NORERO
LICENSE
No. 73778
STATE OF
FLORIDA
PROFESSIONAL ENGINEER
HERMES F. NORERO, P.E.
FLORIDA LICENSE NO. 73778
BUILDING DROPS, INC.
1900 NE MIAMI COURT, #2-15
MIAMI, FL 33132
FBPE CERT. OF AUTHORIZATION No. 29578

FL #: **FL40552**

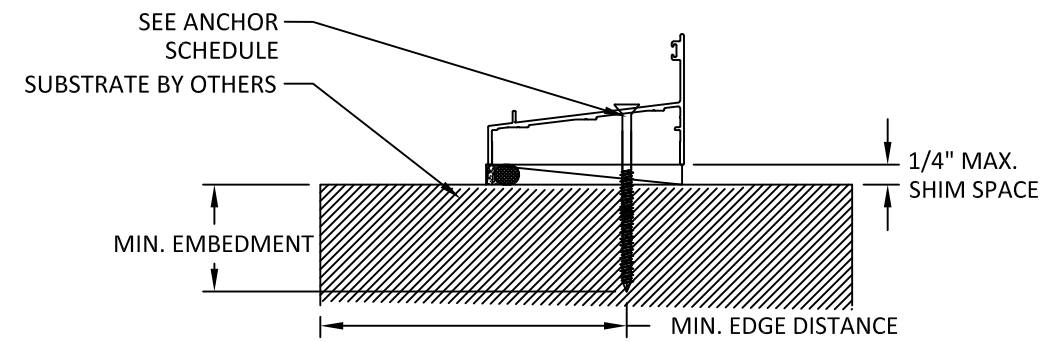
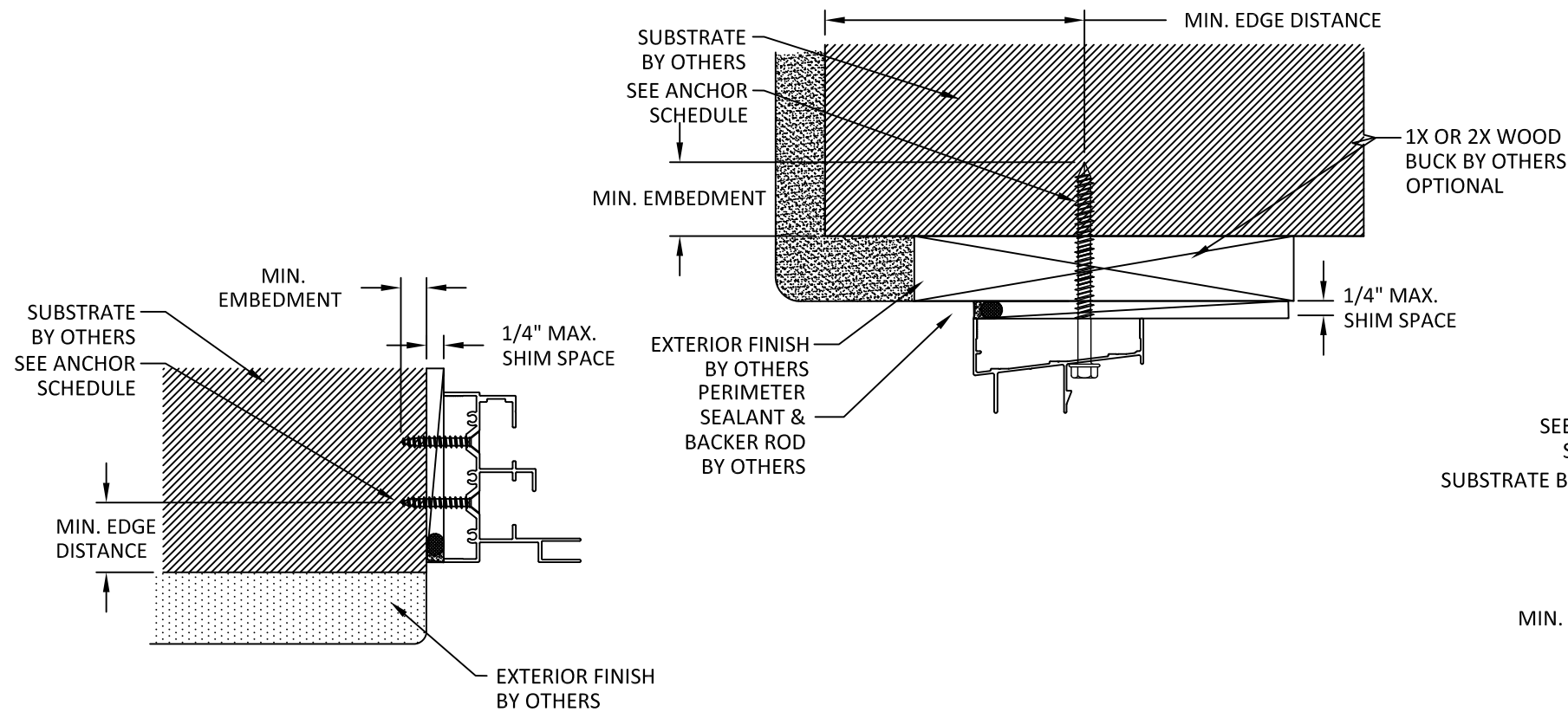
DATE: **04.23.24**

DWG. BY: **DI** CHK. BY: **HFN**

SCALE: **NTS**

DWG. #: **CDW012**

c:\users\dylanwata\building_drops, inc\building_drops landing - common\projects\condado window\fb-24-0225.4 - fb- submittal - standalone aluminum windows and doors\dwg\double hung\cdw012.dwg 5/2/2024 11:38 AM



A
5
ANCHOR DETAIL
THROUGH FRAME INSTALLATION

B
5
ANCHOR DETAIL
THROUGH FRAME INSTALLATION

C
5
ANCHOR DETAIL
THROUGH FRAME INSTALLATION

INSTALLATION NOTES:

- ONE (1) INSTALLATION ANCHOR IS REQUIRED AT EACH ANCHOR LOCATION SHOWN UNLESS OTHERWISE NOTED.
- THE NUMBER OF INSTALLATION ANCHORS DEPICTED IS THE MINIMUM NUMBER OF ANCHORS TO BE USED FOR PRODUCT INSTALLATION.
- INSTALL INDIVIDUAL INSTALLATION ANCHORS WITHIN A TOLERANCE OF ±1/2 INCH OF THE DEPICTED LOCATION IN THE ANCHOR LAYOUT DETAIL (I.E., WITHOUT CONSIDERATION OF TOLERANCES). TOLERANCES ARE NOT CUMULATIVE FROM ONE INSTALLATION ANCHOR TO THE NEXT.
- SHIM AS REQUIRED AT EACH INSTALLATION ANCHOR WITH LOAD BEARING SHIM(S). MAX. ALLOWABLE SHIM STACK TO BE 1/4 INCH. SHIM WHERE SPACE OF 1/16 INCH OR GREATER OCCURS. SHIM(S) SHALL BE CONSTRUCTED OF HIGH DENSITY PLASTIC OR BETTER.
- MINIMUM EMBEDMENT AND EDGE DISTANCE EXCLUDE WALL FINISHES, INCLUDING BUT NOT LIMITED TO STUCCO, FOAM, BRICK VENEER, AND SIDING.
- INSTALLATION ANCHORS AND ASSOCIATED HARDWARE MUST BE MADE OF CORROSION RESISTANT MATERIAL OR HAVE A CORROSION RESISTANT COATING.
- FOR HOLLOW BLOCK AND GROUT FILLED BLOCK, DO NOT INSTALL INSTALLATION ANCHORS INTO MORTAR JOINTS. EDGE DISTANCE IS MEASURED FROM FREE EDGE OF BLOCK OR EDGE OF MORTAR JOINT INTO FACE SHELL OF BLOCK.
- INSTALLATION ANCHORS SHALL BE INSTALLED IN ACCORDANCE WITH ANCHOR MANUFACTURER'S INSTALLATION INSTRUCTIONS, AND ANCHORS SHALL NOT BE USED IN SUBSTRATES WITH STRENGTHS LESS THAN THE MINIMUM STRENGTH SPECIFIED BY THE ANCHOR MANUFACTURER.

ANCHOR SCHEDULE					
TYPE	METHOD	ANCHOR	SUBSTRATE	MIN. EMBEDMENT	MIN. EDGE DISTANCE
A		#14 SS WOOD SCREW	2X WOOD MIN. S.G.=0.55	1.50"	0.75"
B	THROUGH FRAME	1/4" GR. 5 SELF-TAPPING/DRILLING SCREW	METAL: 18 GAUGE STEEL, MIN. Fy = 33 KSI	3 THREADS MIN PENETRATION BEYOND METAL	0.75"
C		1/4" ITW TAPCON (CARBON OR STAINLESS STEEL)	3000 PSI CONCRETE MIN.	1.75"	2.50"
D			GROUT FILLED CMU PER ASTM C-90 W/ MIN. F'C=2000 PSI	1.00"	2.50"



CONDADO WINDOW
903RH TODD AVENUE SAN JUAN,
PUERTO RICO 00907
PH: (787)723-5469 FAX: (787)722-1395

TITLE: **325 SERIES**
DOUBLE HUNG WINDOW
(HVHZ) (IMPACT)

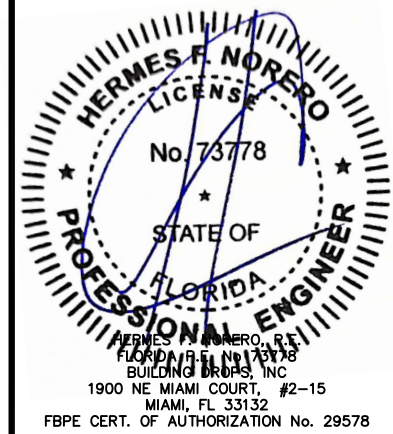
ANCHOR DETAILS, INSTALLATION NOTES
& ANCHOR SCHEDULE

PREPARED BY:
BUILDING DROPS, INC.
1900 NE MIAMI COURT, STE. 2-15
MIAMI, FL 33132
PH: (954)399-8478
FAX: (954)744-4738
WEB: www.buildingdrops.com



REMARKS	BY	DATE

THE INSTALLATION DETAILS DESCRIBED HEREIN ARE GENERIC AND MAY NOT REFLECT ACTUAL CONDITIONS FOR A SPECIFIC SITE. IF SITE CONDITIONS CAUSE INSTALLATION TO DEVIATE FROM THE REQUIREMENTS DETAILED HEREIN, A LICENSED ENGINEER OR ARCHITECT SHALL PREPARE SITE SPECIFIC DOCUMENTS FOR USE WITH THIS DOCUMENT



FL #:
FL40552

DATE: **04.23.24**

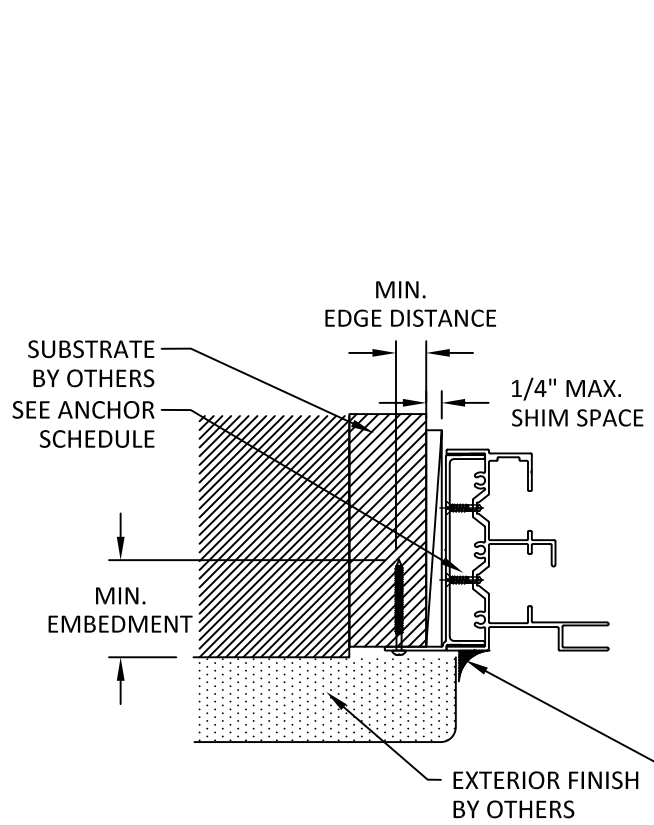
DWG. BY: **DI** CHK. BY: **HFN**

SCALE: **NTS**

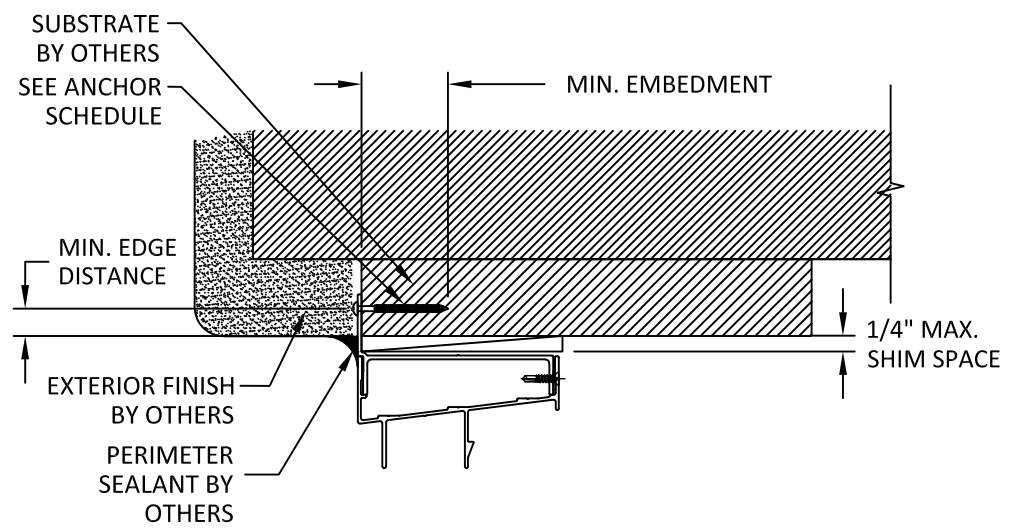
DWG. #: **CDW012**

SHEET:
5
OF 6

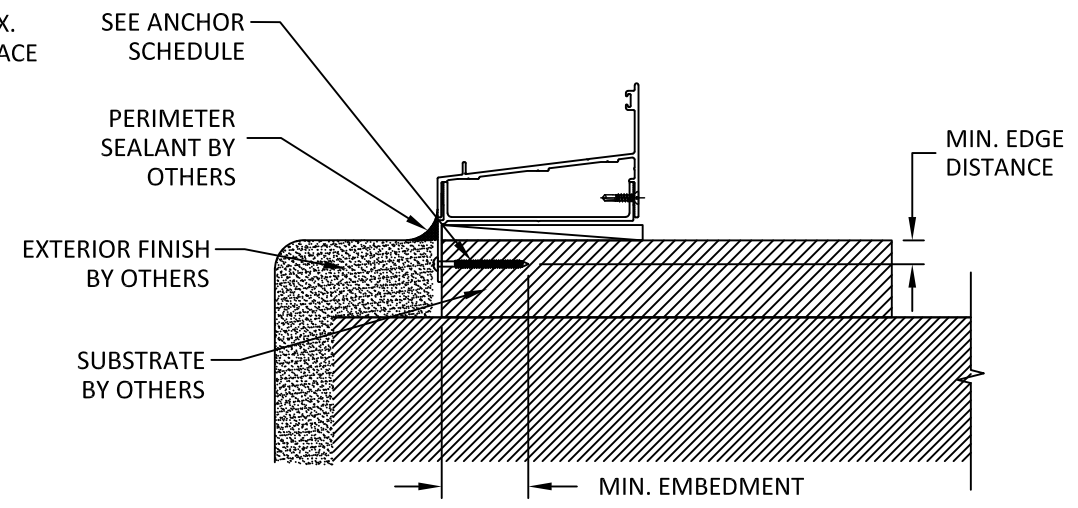
5/2/2024 11:38 AM
c:\users\dylanwata\building_drops, inc\building_drops, inc\projects\condado window\fbc-24-0225_4 - fbc submittal - standalone aluminum windows and doors\dwg\double hung\cdw012.dwg



A
6
ANCHOR DETAIL
NAIL FIN INSTALLATION



B
6
ANCHOR DETAIL
NAIL FIN INSTALLATION



C
6
ANCHOR DETAIL
NAIL FIN INSTALLATION

INSTALLATION NOTES:

- ONE (1) INSTALLATION ANCHOR IS REQUIRED AT EACH ANCHOR LOCATION SHOWN UNLESS OTHERWISE NOTED.
- THE NUMBER OF INSTALLATION ANCHORS DEPICTED IS THE MINIMUM NUMBER OF ANCHORS TO BE USED FOR PRODUCT INSTALLATION.
- INSTALL INDIVIDUAL INSTALLATION ANCHORS WITHIN A TOLERANCE OF ±1/2 INCH OF THE DEPICTED LOCATION IN THE ANCHOR LAYOUT DETAIL (I.E., WITHOUT CONSIDERATION OF TOLERANCES). TOLERANCES ARE NOT CUMULATIVE FROM ONE INSTALLATION ANCHOR TO THE NEXT.
- SHIM AS REQUIRED AT EACH INSTALLATION ANCHOR WITH LOAD BEARING SHIM(S). MAX. ALLOWABLE SHIM STACK TO BE 1/4 INCH. SHIM WHERE SPACE OF 1/16 INCH OR GREATER OCCURS. SHIM(S) SHALL BE CONSTRUCTED OF HIGH DENSITY PLASTIC OR BETTER.
- MINIMUM EMBEDMENT AND EDGE DISTANCE EXCLUDE WALL FINISHES, INCLUDING BUT NOT LIMITED TO STUCCO, FOAM, BRICK VENEER, AND SIDING.
- INSTALLATION ANCHORS AND ASSOCIATED HARDWARE MUST BE MADE OF CORROSION RESISTANT MATERIAL OR HAVE A CORROSION RESISTANT COATING.
- FOR HOLLOW BLOCK AND GROUT FILLED BLOCK, DO NOT INSTALL INSTALLATION ANCHORS INTO MORTAR JOINTS. EDGE DISTANCE IS MEASURED FROM FREE EDGE OF BLOCK OR EDGE OF MORTAR JOINT INTO FACE SHELL OF BLOCK.
- INSTALLATION ANCHORS SHALL BE INSTALLED IN ACCORDANCE WITH ANCHOR MANUFACTURER'S INSTALLATION INSTRUCTIONS, AND ANCHORS SHALL NOT BE USED IN SUBSTRATES WITH STRENGTHS LESS THAN THE MINIMUM STRENGTH SPECIFIED BY THE ANCHOR MANUFACTURER.

ANCHOR SCHEDULE					
TYPE	METHOD	ANCHOR	SUBSTRATE	MIN. EMBEDMENT	MIN. EDGE DISTANCE
E		#8 WOOD SCREW	2X WOOD MIN. S.G.=0.55	1.50"	0.50"
F	NAIL FIN	#8 GR. 5 SELF-TAPPING/DRILLING SCREW	METAL: 18 GAUGE STEEL MIN., MIN. Fy = 33 KSI 1/8" ALUMINUM MIN., MIN. 6063-T5	3 THREADS MIN. PENETRATION BEYOND METAL	0.50"

CONDADO WINDOW
903RH TODD AVENUE SAN JUAN,
PUERTO RICO 00907
PH: (787)723-5469 FAX: (787)722-1395

TITLE: **325 SERIES DOUBLE HUNG WINDOW (HVHZ) (IMPACT)**

ANCHOR DETAILS, INSTALLATION NOTES & ANCHOR SCHEDULE

PREPARED BY: **BUILDING DROPS, INC.**
1900 NE MIAMI COURT, STE. 2-15
MIAMI, FL 33132
PH: (954)399-8478
FAX: (954)744-4738
WEB: www.buildingdrops.com

REMARKS	BY	DATE

THE INSTALLATION DETAILS DESCRIBED HEREIN ARE GENERIC AND MAY NOT REFLECT ACTUAL CONDITIONS FOR A SPECIFIC SITE. IF SITE CONDITIONS CAUSE INSTALLATION TO DEVIATE FROM THE REQUIREMENTS DETAILED HEREIN, A LICENSED ENGINEER OR ARCHITECT SHALL PREPARE SITE SPECIFIC DOCUMENTS FOR USE WITH THIS DOCUMENT

HERMES F. NORERO
LICENSE
No. 73778
STATE OF
FLORIDA
PROFESSIONAL ENGINEER

HERMES F. NORERO, P.E.
FLORIDA LICENSE NO. 73778
BUILDING DROPS, INC.
1900 NE MIAMI COURT, #2-15
MIAMI, FL 33132
FBPE CERT. OF AUTHORIZATION No. 29578

FL #: **FL40552**

DATE: **04.23.24**

DWG. BY: **DI** CHK. BY: **HFN**

SCALE: **NTS**

DWG. #: **CDW012**

SHEET:
6
OF 6

CONDADO WINDOW

325 SERIES DOUBLE HUNG WINDOW WITH INTEGRAL SHUTTER (HVHZ) (IMPACT)

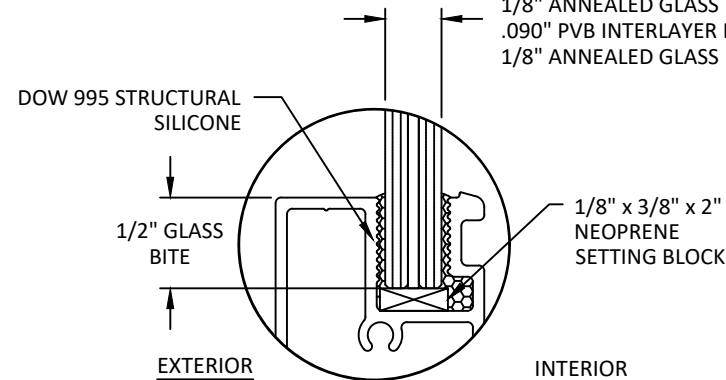
GENERAL NOTES:

- THE PRODUCT SHOWN HEREIN IS DESIGNED AND MANUFACTURED TO COMPLY WITH THE CURRENT FLORIDA BUILDING CODE (FBC), **INCLUDING** HVHZ AND HAS BEEN EVALUATED ACCORDING TO THE FOLLOWING:
 - TAS 201-94
 - TAS 202-94
 - TAS 203-94
- ADEQUACY OF THE EXISTING STRUCTURAL CONCRETE/MASONRY OR 2X FRAMING AS A MAIN WIND FORCE RESISTING SYSTEM CAPABLE OF WITHSTANDING AND TRANSFERRING APPLIED PRODUCT LOADS TO THE FOUNDATION IS THE RESPONSIBILITY OF THE ENGINEER OR ARCHITECT OF RECORD FOR THE PROJECT OF INSTALLATION.
- 1X AND 2X BUCKS (WHEN USED) SHALL BE DESIGNED AND ANCHORED TO PROPERLY TRANSFER ALL LOADS TO THE STRUCTURE. BUCK DESIGN AND INSTALLATION IS THE RESPONSIBILITY OF THE ENGINEER OR ARCHITECT OF RECORD FOR THE PROJECT OF INSTALLATION.
- THE INSTALLATION DETAILS DESCRIBED HEREIN ARE GENERIC AND MAY NOT REFLECT ACTUAL CONDITIONS FOR A SPECIFIC SITE. IF SITE CONDITIONS CAUSE INSTALLATION TO DEVIATE FROM THE REQUIREMENTS DETAILED HEREIN, A LICENSED ENGINEER OR ARCHITECT SHALL PREPARE SITE SPECIFIC DOCUMENTS FOR USE WITH THIS DOCUMENT.
- APPROVED IMPACT PROTECTIVE SYSTEM **IS NOT REQUIRED** ON THIS PRODUCT IN AREAS REQUIRING IMPACT RESISTANCE.
- DESIGNATIONS "X" AND "O" STAND FOR THE FOLLOWING:
 - X: OPERABLE PANEL
 - O: FIXED PANEL
- WINDOW FRAME MATERIAL: ALUMINUM 6063-T6
- DISSIMILAR METALS INCLUDING FASTENERS THAT MAY COME INTO CONTACT WITH ALUMINUM UNIT FRAMING SHALL BE PROTECTED IN ACCORDANCE WITH FBC.
- GLASS MEETS THE REQUIREMENTS OF ASTM E 1300 GLASS CHARTS SHEE SHEET 1 FOR GLAZING DETAILS

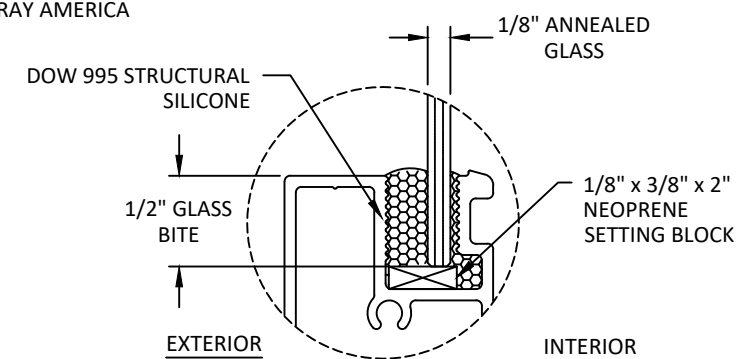
TABLE OF CONTENTS	
SHEET	SHEET DESCRIPTION
1	GENERAL NOTES & GLAZING DETAIL
2	ELEVATIONS, DP TABLE AND ANCHOR LAYOUT
3	VERTICAL SECTIONS
4	HORIZONTAL SECTIONS
5	ANCHOR DETAILS, INSTALLATION NOTES & ANCHOR SCHEDULE

DESIGN PRESSURE RATING	
DESIGN PRESSURE	MISSILE IMPACT RATING
SEE SHEET 2	LARGE & SMALL MISSILE IMPACT RATED

5/16" O.A. LAMINATED GLASS CONSISTING OF:
 1/8" ANNEALED GLASS
 .090" PVB INTERLAYER BY KURARAY AMERICA
 1/8" ANNEALED GLASS



GLAZING DETAIL 1



GLAZING DETAIL 2

SEE NOTE 5

GLAZING NOTES:

- GLASS TYPE AND THICKNESS COMPLIES WITH ASTM E1300 REQUIREMENTS AS WELL AS APPLICABLE SAFETY GLAZING REQUIREMENTS PER THE FBC. THICKNESS, TEMPER, AND SAFETY GLAZING REQUIREMENTS SHALL BE REVIEWED ON A SITE SPECIFIC BASIS.
- SETTING BLOCK DUROMETER HARDNESS OF 70-90 (SHORE A) AS REFERENCED IN FBC CHAPTER 24.
- SETTING BLOCKS TO BE LOCATED AT 1/4 SPAN LENGTH FOR GLASS WIDER THAN 36" AS PER FBC CHAPTER 24.
- D.L.O. AND DESIGN PRESSURES MAY NOT EXCEED MAX VALUES SHOWN HEREIN.
- NON-IMPACT GLASS MUST BE USED WITH SHUTTER DEPLOYED FOR HURRICANE CONDITIONS



CONDADO WINDOW
 903RH TODD AVENUE SAN JUAN,
 PUERTO RICO 00907
 PH: (787)723-5469 FAX: (787)722-1395

TITLE: 325 SERIES DOUBLE HUNG WINDOW WITH INTEGRAL SHUTTER (HVHZ) (IMPACT)

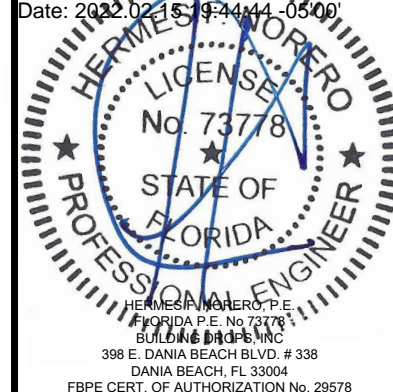
GENERAL NOTES & GLAZING DETAIL

PREPARED BY:
BUILDING DROPS, INC.
 398 E. DANIA BEACH BLVD., STE. 338
 DANIA BEACH, FL 33004
 PH: (954)399-8478
 FAX: (954)744-4738
 WEB: www.buildingdrops.com

REMARKS	BY	DATE

THE INSTALLATION DETAILS DESCRIBED HEREIN ARE GENERIC AND MAY NOT REFLECT ACTUAL CONDITIONS FOR A SPECIFIC SITE. IF SITE CONDITIONS CAUSE INSTALLATION TO DEVIATE FROM THE REQUIREMENTS DETAILED HEREIN, A LICENSED ENGINEER OR ARCHITECT SHALL PREPARE SITE SPECIFIC DOCUMENTS FOR USE WITH THIS DOCUMENT

Digitally signed by Hermes F Norero
 Reason: I am approving this document
 Date: 2022.02.15 19:44:44 -0500



FL #:
FL40552

DATE: **11.13.19**

DWG. BY: **LL** CHK. BY: **HFN**

SCALE: **NTS**

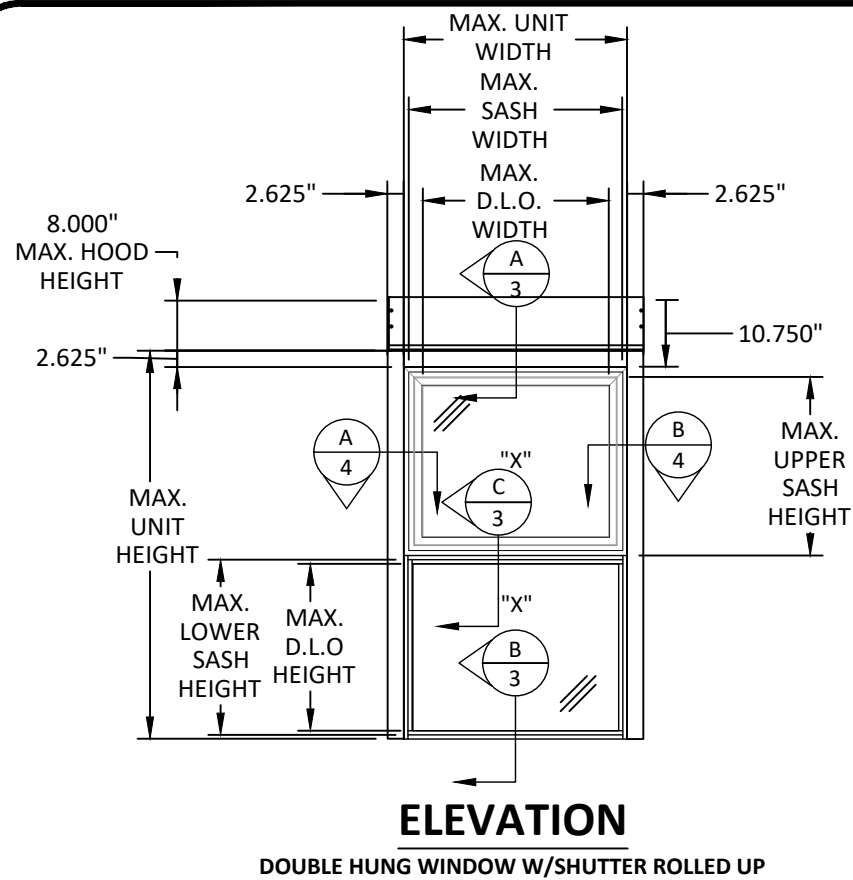
DWG. #: **CDW004**

SHEET:

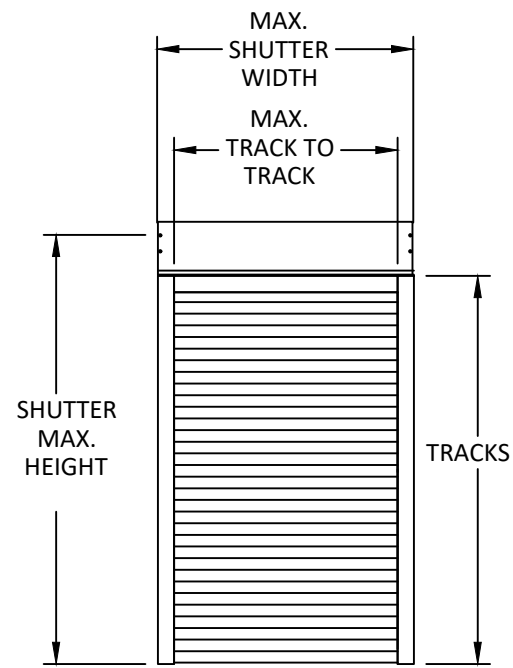
1

OF 5

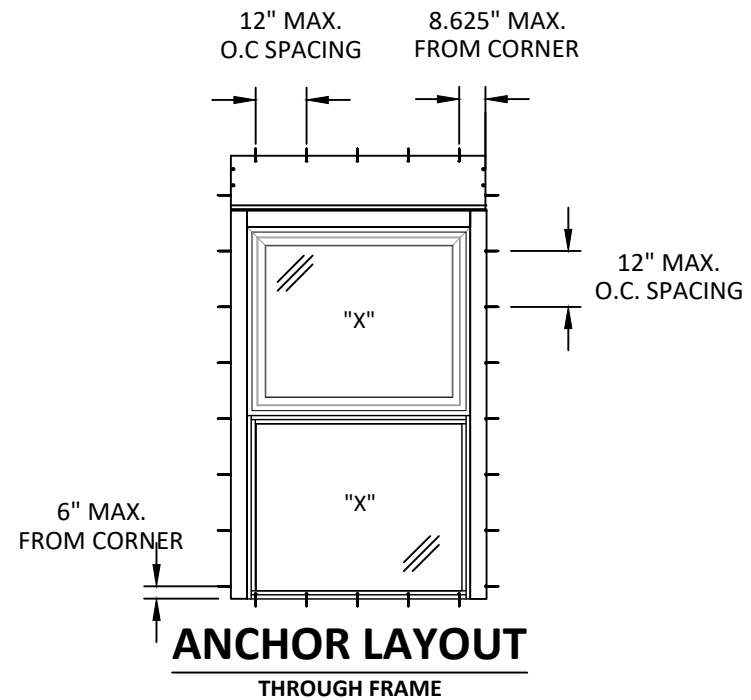
1/22/2022 12:51 PM



ELEVATION
DOUBLE HUNG WINDOW W/SHUTTER ROLLED UP



ELEVATION
DOUBLE HUNG WINDOW W/SHUTTER ROLLED DOWN



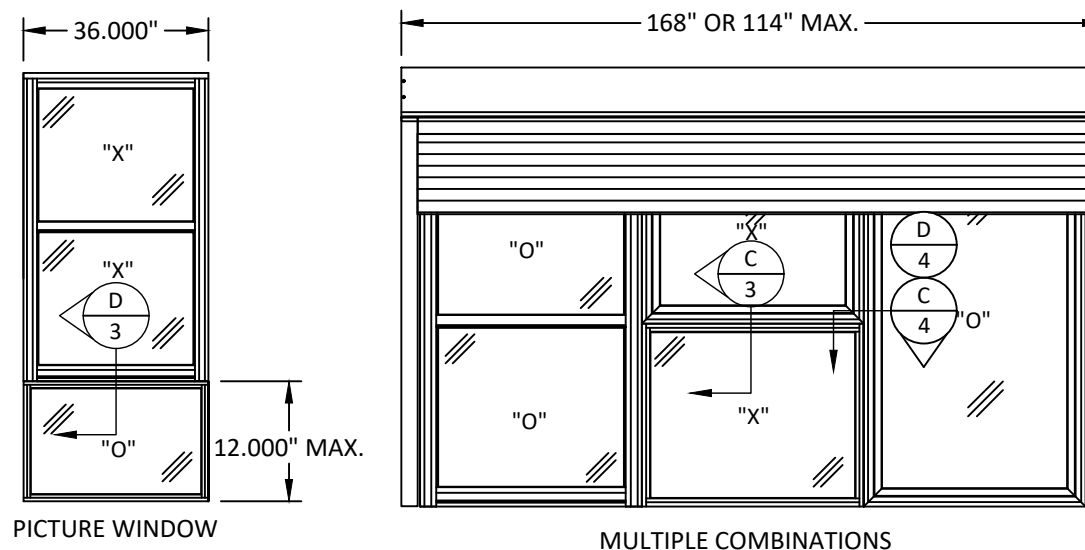
ANCHOR LAYOUT
THROUGH FRAME

- SHUTTER FRAME WIDTH DIM = WINDOW WIDTH + 5-1/4"
- SHUTTER FRAME HEIGHT DIM = WINDOW HEIGHT + 10-3/4"
- D.L.O WIDTH DIM = WINDOW WIDTH - 5-7/8"
- D.L.O HEIGHT DIM = WINDOW HEIGHT / 2 - 3-9/16"

WINDOW FRAME HEIGHT (IN.)	WINDOW FRAME WIDTH (IN.)	DESIGN PRESSURE
60	36	100.0
52	40	90.0
48	44	81.8

WINDOW FRAME HEIGHT (IN.)	60	52	48
WINDOW FRAME WIDTH (IN.)	36	40	44
DESIGN PRESSURE	100.0	90.0	81.8

NOTE:
DESIGN PRESSURE TABLES ARE APPLICABLE TO SINGLE OR MULTIPLE CONFIGURATIONS WHEN MULLED SIDE-BY-SIDE OR OVER ONE ANOTHER.



TYPICAL APPROVED CONFIGURATIONS

NOTE:
EXAMPLE CONFIGURATIONS SHOWN. OTHER CONFIGURATIONS ARE QUALIFIED USING MULLIONS SHOWN HEREIN. CONFIGURATIONS SHALL BE LIMITED TO THE LOWEST DESIGN PRESSURE AS DETERMINED BY THIS WINDOW APPROVAL, MULLION CAPACITY CHART, AND WINDOWS UNDER SEPARATE APPROVAL.



CONDADO WINDOW
903RH TODD AVENUE SAN JUAN,
PUERTO RICO 00907
PH: (787)723-5469 FAX: (787)722-1395

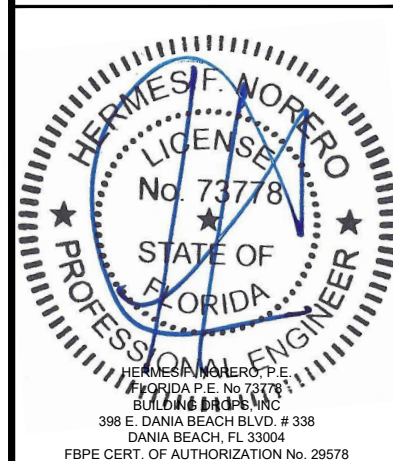
TITLE: 325 SERIES DOUBLE HUNG WINDOW WITH INTEGRAL SHUTTER (HVHZ) (IMPACT) ELEVATIONS

PREPARED BY: **BUILDING DROPS, INC.**
398 E. DANIA BEACH BLVD., STE. 338
DANIA BEACH, FL 33004
PH: (954)399-8478
FAX: (954)744-4738
WEB: www.buildingdrops.com



REMARKS	BY	DATE

THE INSTALLATION DETAILS DESCRIBED HEREIN ARE GENERIC AND MAY NOT REFLECT ACTUAL CONDITIONS FOR A SPECIFIC SITE. IF SITE CONDITIONS CAUSE INSTALLATION TO DEVIATE FROM THE REQUIREMENTS DETAILED HEREIN, A LICENSED ENGINEER OR ARCHITECT SHALL PREPARE SITE SPECIFIC DOCUMENTS FOR USE WITH THIS DOCUMENT



FL #:

FL40552

DATE: **11.13.19**

DWG. BY: **LL** CHK. BY: **HFN**

SCALE: **NTS**

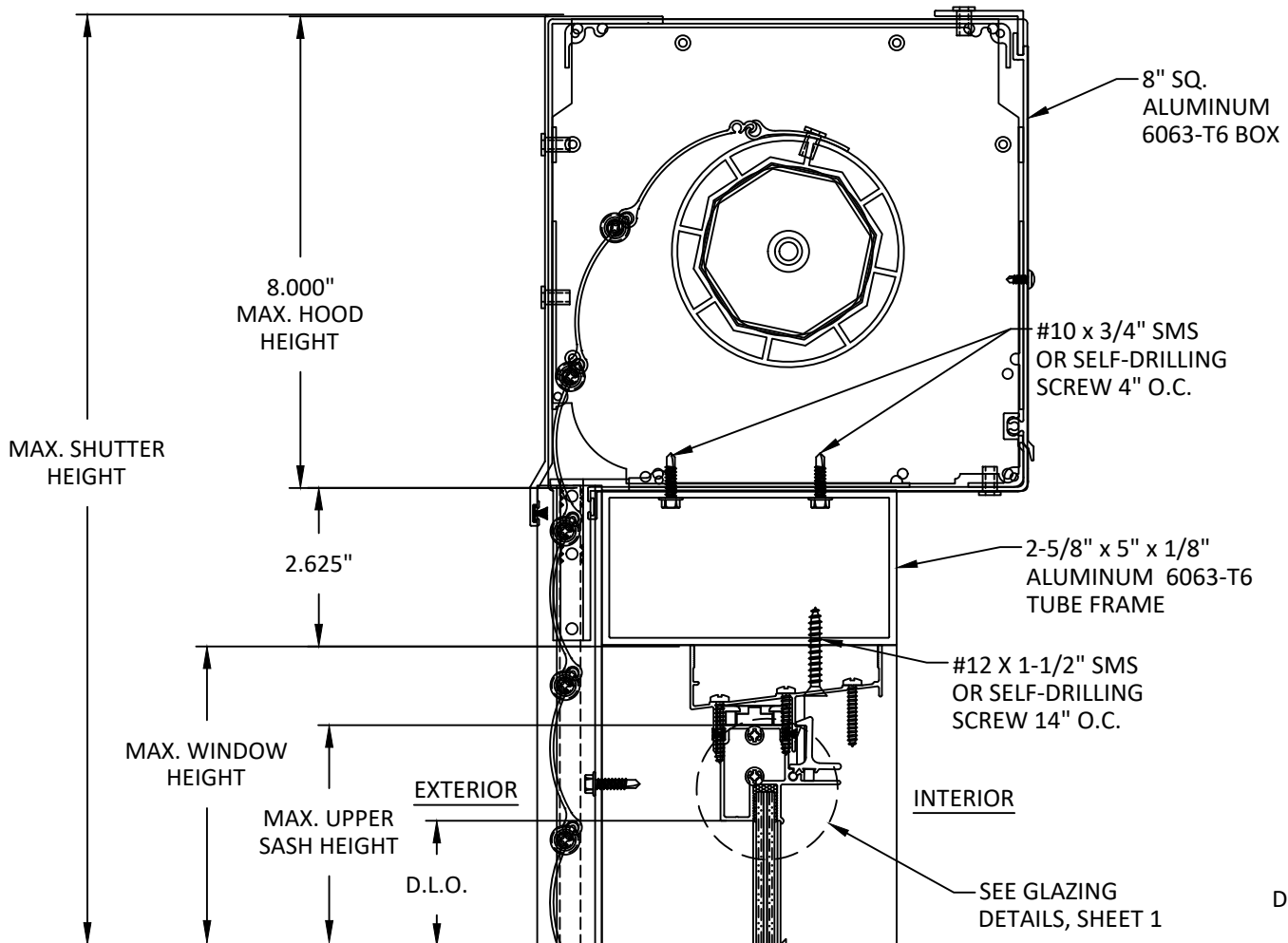
DWG. #: **CDW004**

SHEET:

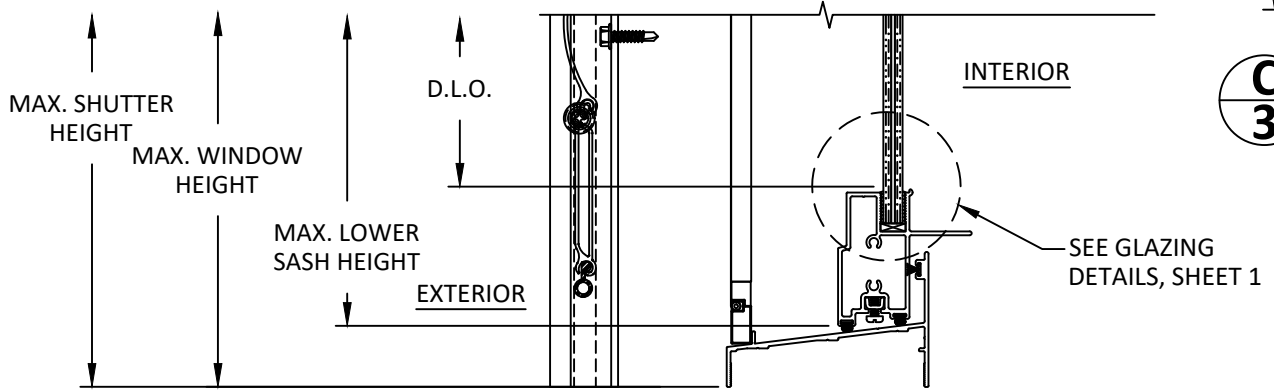
2

OF 5

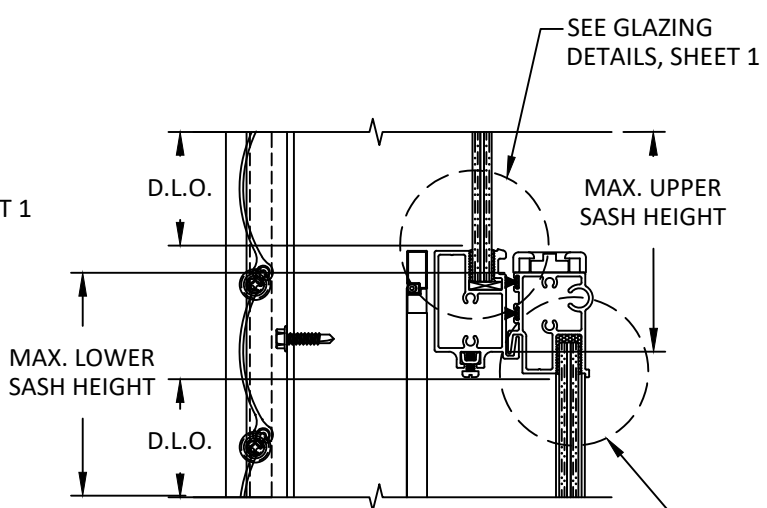
1/22/2022 12:51 PM
 s:\projects\condado window\fb-19-1046.1 - fb- submittal - combo series fx, cs, po and dh windows\dwg\double hung\cdw004_2022-01-22.dwg



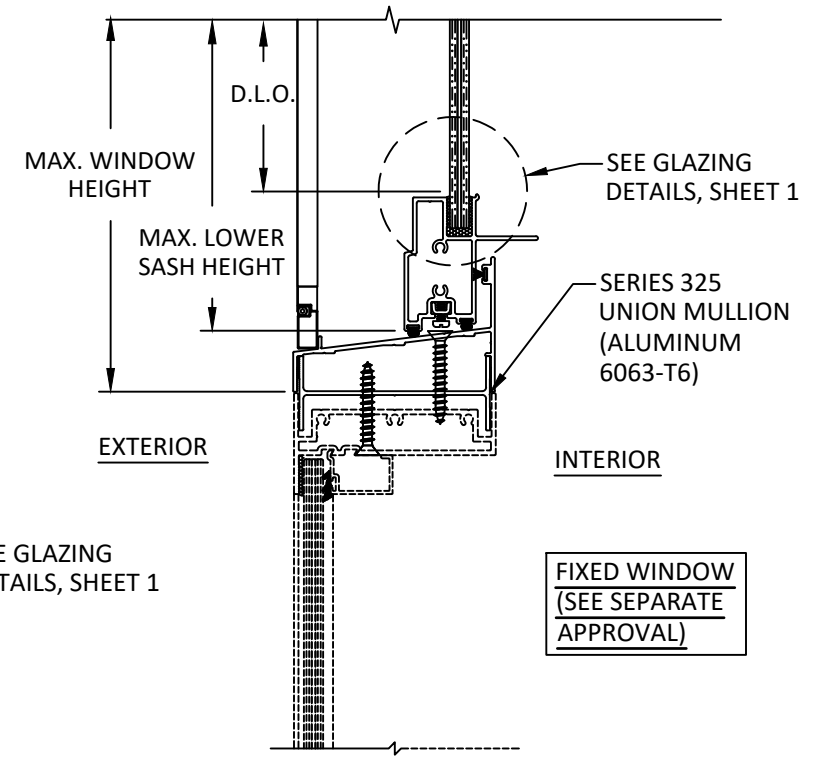
A
3
VERTICAL SECTION
 HEAD DETAIL



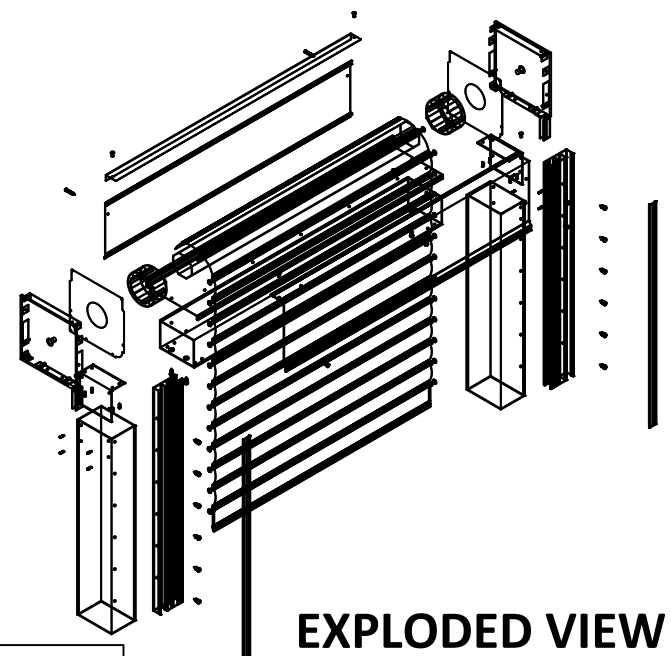
B
3
VERTICAL SECTION
 SILL DETAIL



C
3
VERTICAL SECTION
 SILL DETAIL



D
3
VERTICAL SECTION
 MULLED DOUBLE HUNG WINDOW



EXPLODED VIEW
 SHUTTER ASSEMBLY

NOTE:
 THE ROLL-UP MECHANISM (GEARS,
 MOTOR, SUPPORTING END PLATES)
 ARE NOT A PART OF THIS APPROVAL.

CONDADO WINDOW
 903RH TODD AVENUE SAN JUAN,
 PUERTO RICO 00907
 PH: (787)723-5469 FAX: (787)722-1395

TITLE: **325 SERIES DOUBLE HUNG WINDOW WITH INTEGRAL SHUTTER (HVHZ) (IMPACT) VERTICAL SECTIONS**

PREPARED BY:
BUILDING DROPS, INC.
 398 E. DANIA BEACH BLVD., STE. 338
 DANIA BEACH, FL 33004
 PH: (954)399-8478
 FAX: (954)744-4738
 WEB: www.buildingdrops.com

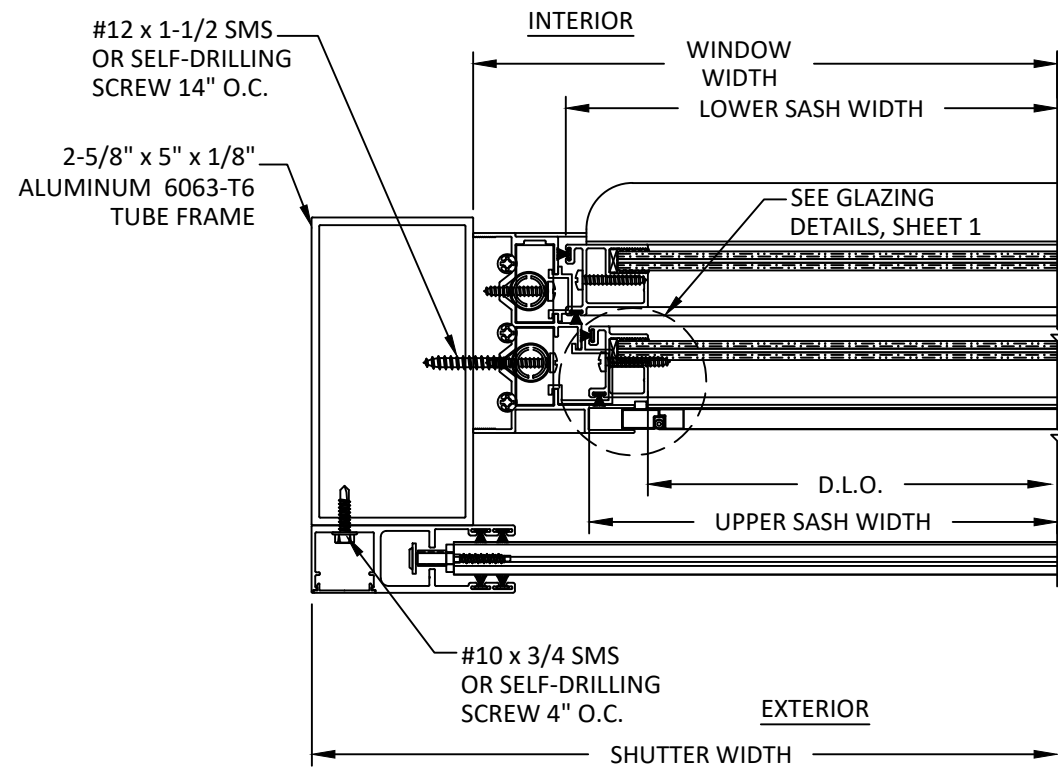
REMARKS	BY	DATE

THE INSTALLATION DETAILS DESCRIBED HEREIN ARE GENERIC AND MAY NOT REFLECT ACTUAL CONDITIONS FOR A SPECIFIC SITE. IF SITE CONDITIONS CAUSE INSTALLATION TO DEVIATE FROM THE REQUIREMENTS DETAILED HEREIN, A LICENSED ENGINEER OR ARCHITECT SHALL PREPARE SITE SPECIFIC DOCUMENTS FOR USE WITH THIS DOCUMENT

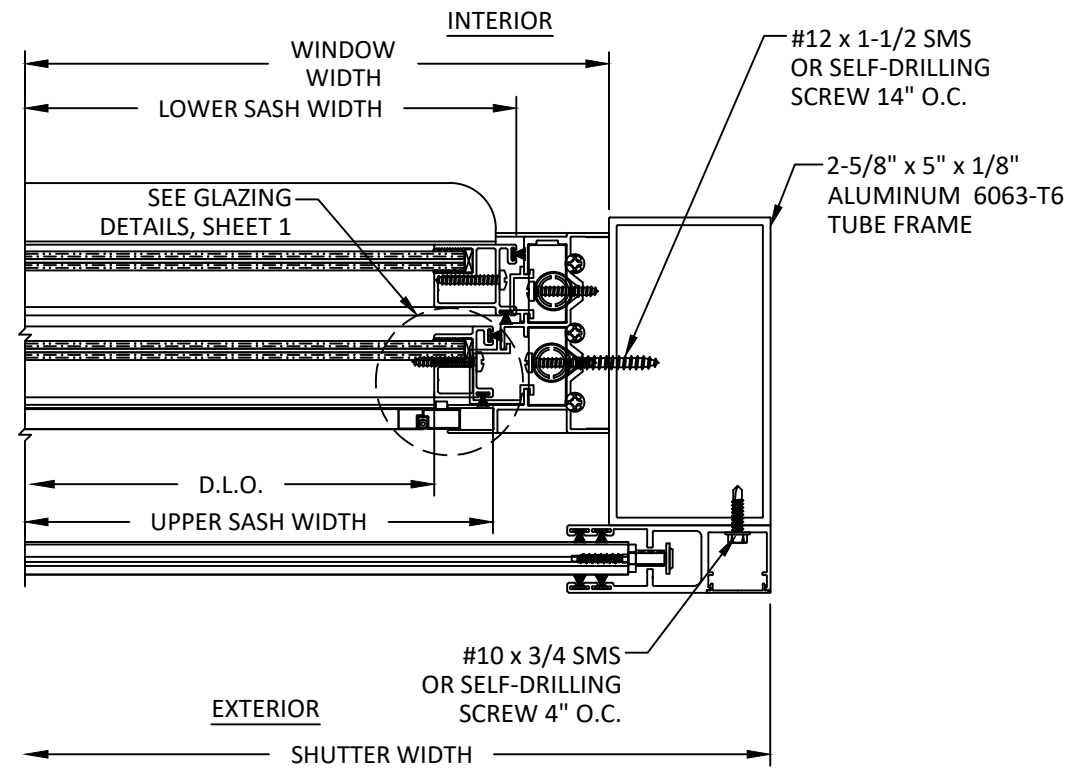
HERMES J. MORERO, P.E.
 FLORIDA P.E. No. 73778
 BUILDING DROPS, INC.
 398 E. DANIA BEACH BLVD. # 338
 DANIA BEACH, FL 33004
 FBPE CERT. OF AUTHORIZATION No. 29578

FL #:	FL40552		
DATE:	11.13.19		
DWG. BY:	LL	CHK. BY:	HFN
SCALE:	NTS		
DWG. #:	CDW004		
SHEET:	3		
OF 5			

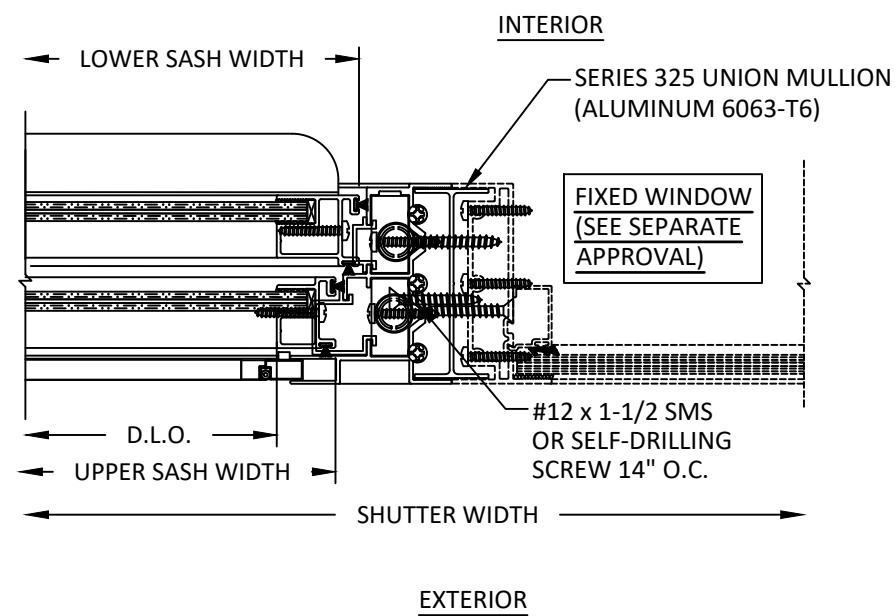
1/22/2022 12:51 PM
 s:\projects\condado window\fb-19-1046.1 - fbc submittal - combo series fx, cs, po and dh windows\dwg\double hung\cdw004_2022-01-22.dwg



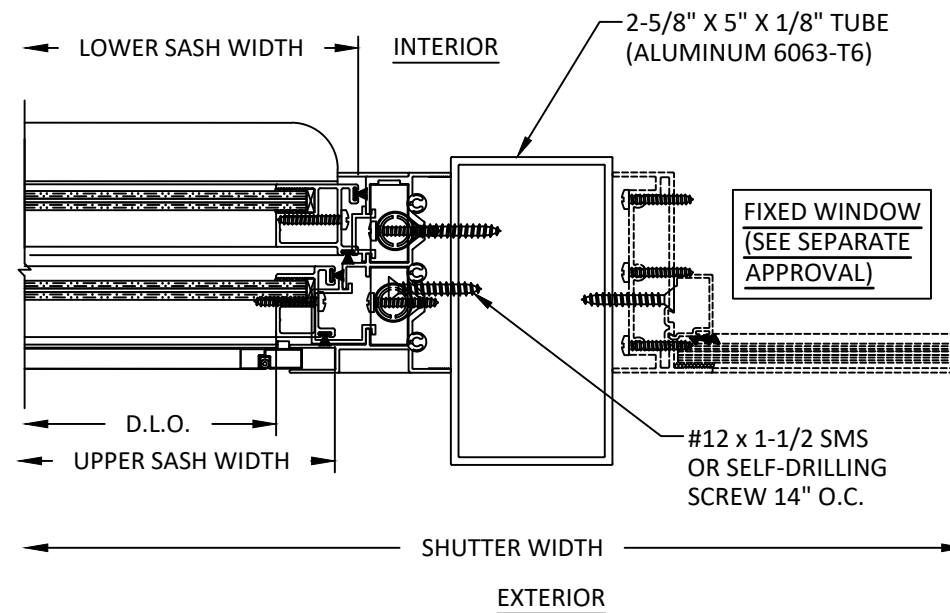
A
4 **HORIZONTAL SECTION**
 LEFT JAMB DETAIL



B
4 **HORIZONTAL SECTION**
 RIGHT JAMB DETAIL



C
4 **HORIZONTAL SECTION**
 DOUBLE HUNG TO FIXED



D
4 **HORIZONTAL SECTION**
 DOUBLE HUNG TO FIXED

CONDADO WINDOW
 903RH TODD AVENUE SAN JUAN,
 PUERTO RICO 00907
 PH: (787)723-5469 FAX: (787)722-1395

TITLE: 325 SERIES DOUBLE HUNG WINDOW WITH INTEGRAL SHUTTER (HVHZ) (IMPACT) HORIZONTAL SECTIONS

PREPARED BY: **BUILDING DROPS, INC.**
 398 E. DANIA BEACH BLVD., STE. 338
 DANIA BEACH, FL 33004
 PH: (954)399-8478
 FAX: (954)744-4738
 WEB: www.buildingdrops.com

REMARKS	BY	DATE

THE INSTALLATION DETAILS DESCRIBED HEREIN ARE GENERIC AND MAY NOT REFLECT ACTUAL CONDITIONS FOR A SPECIFIC SITE. IF SITE CONDITIONS CAUSE INSTALLATION TO DEVIATE FROM THE REQUIREMENTS DETAILED HEREIN, A LICENSED ENGINEER OR ARCHITECT SHALL PREPARE SITE SPECIFIC DOCUMENTS FOR USE WITH THIS DOCUMENT

HERMES F. MORERO, P.E.
 FLORIDA P.E. No. 73778
 BUILDING DROPS, INC.
 398 E. DANIA BEACH BLVD. # 338
 DANIA BEACH, FL 33004
 FBPE CERT. OF AUTHORIZATION No. 29578

FL #: **FL40552**

DATE: **11.13.19**

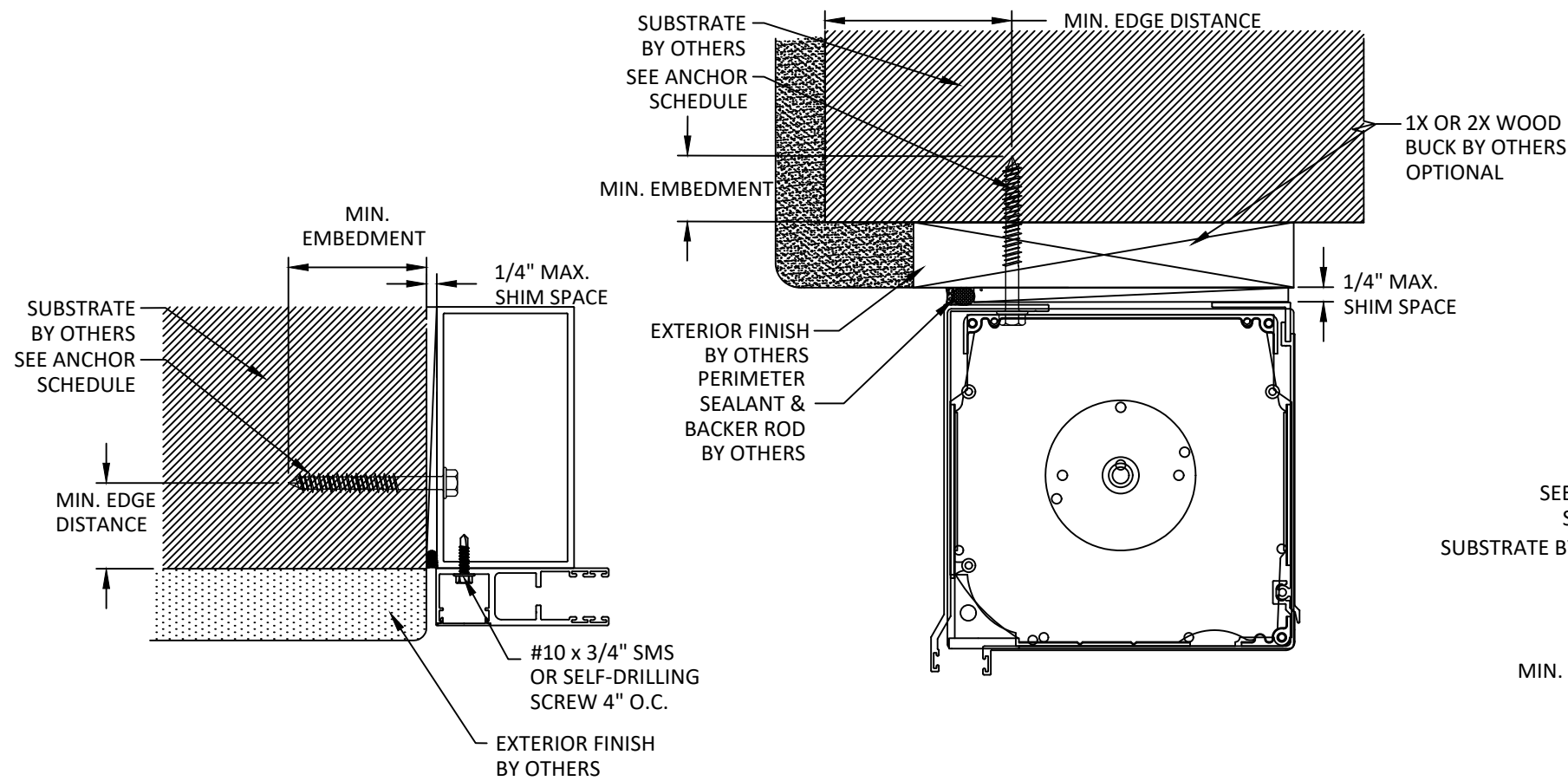
DWG. BY: **LL** CHK. BY: **HFN**

SCALE: **NTS**

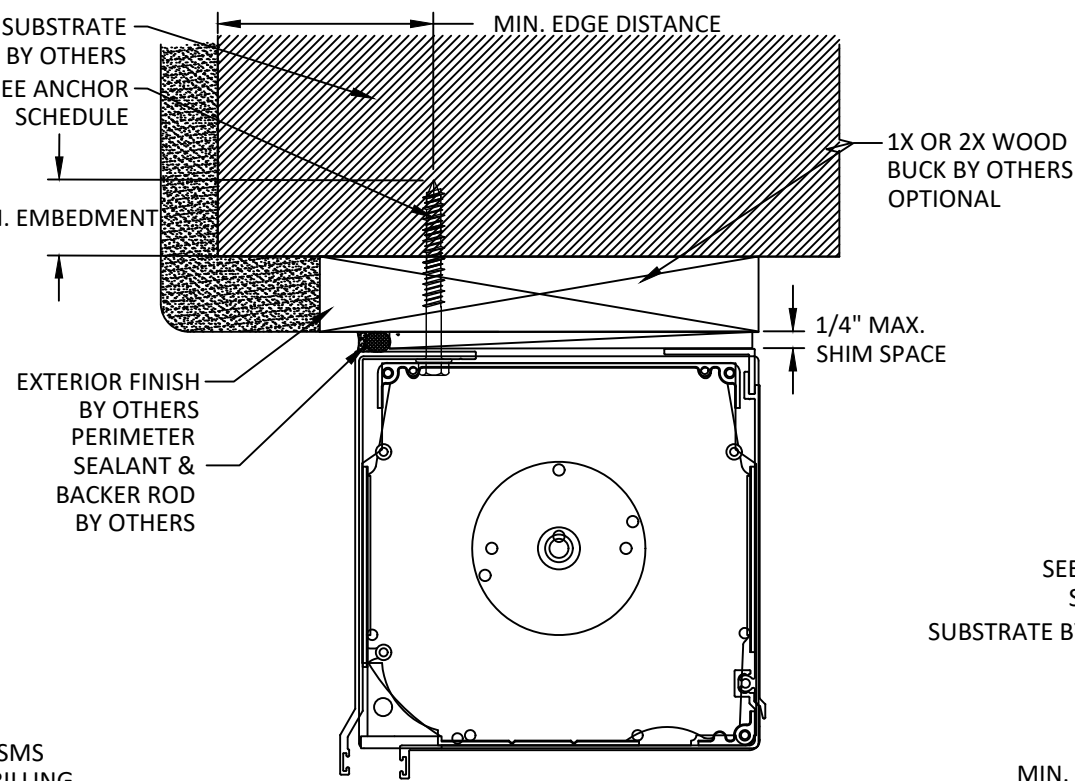
DWG. #: **CDW004**

1/22/2022 12:51 PM

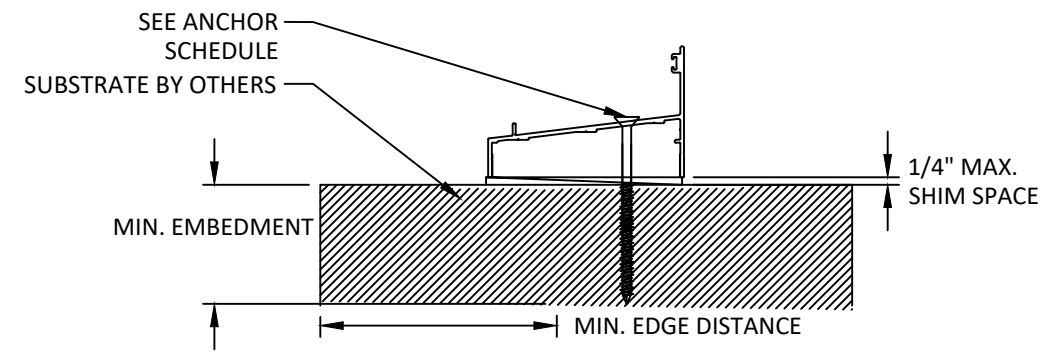
s:\projects\condado window\trc-19-1046.1 - fbc submittal - combo series fx, cs, po and dh windows\dwg\double hung\cdw004 2022-01-22.dwg



A
5 ANCHOR DETAIL
THROUGH FRAME INSTALLATION



B
5 ANCHOR DETAIL
THROUGH FRAME INSTALLATION



C
5 ANCHOR DETAIL
THROUGH FRAME INSTALLATION

INSTALLATION NOTES:

- ONE (1) INSTALLATION ANCHOR IS REQUIRED AT EACH ANCHOR LOCATION SHOWN UNLESS OTHERWISE NOTED.
- THE NUMBER OF INSTALLATION ANCHORS DEPICTED IS THE MINIMUM NUMBER OF ANCHORS TO BE USED FOR PRODUCT INSTALLATION.
- INSTALL INDIVIDUAL INSTALLATION ANCHORS WITHIN A TOLERANCE OF ±1/2 INCH OF THE DEPICTED LOCATION IN THE ANCHOR LAYOUT DETAIL (I.E., WITHOUT CONSIDERATION OF TOLERANCES). TOLERANCES ARE NOT CUMULATIVE FROM ONE INSTALLATION ANCHOR TO THE NEXT.
- SHIM AS REQUIRED AT EACH INSTALLATION ANCHOR WITH LOAD BEARING SHIM(S). MAX. ALLOWABLE SHIM STACK TO BE 1/4 INCH. SHIM WHERE SPACE OF 1/16 INCH OR GREATER OCCURS. SHIM(S) SHALL BE CONSTRUCTED OF HIGH DENSITY PLASTIC OR BETTER.
- USE 3/8" WASHERS WITH ALL INSTALLATION FASTENERS.
- MINIMUM EMBEDMENT AND EDGE DISTANCE EXCLUDE WALL FINISHES, INCLUDING BUT NOT LIMITED TO STUCCO, FOAM, BRICK VENEER, AND SIDING.
- INSTALLATION ANCHORS AND ASSOCIATED HARDWARE MUST BE MADE OF CORROSION RESISTANT MATERIAL OR HAVE A CORROSION RESISTANT COATING.
- FOR HOLLOW BLOCK AND GROUT FILLED BLOCK, DO NOT INSTALL INSTALLATION ANCHORS INTO MORTAR JOINTS. EDGE DISTANCE IS MEASURED FROM FREE EDGE OF BLOCK OR EDGE OF MORTAR JOINT INTO FACE SHELL OF BLOCK.
- INSTALLATION ANCHORS SHALL BE INSTALLED IN ACCORDANCE WITH ANCHOR MANUFACTURER'S INSTALLATION INSTRUCTIONS, AND ANCHORS SHALL NOT BE USED IN SUBSTRATES WITH STRENGTHS LESS THAN THE MINIMUM STRENGTH SPECIFIED BY THE ANCHOR MANUFACTURER.

ANCHOR SCHEDULE					
TYPE	METHOD	ANCHOR	SUBSTRATE	MIN. EMBEDMENT	MIN. EDGE DISTANCE
A		#14 SS WOOD SCREW	2X WOOD MIN. S.G.=0.55	1.50"	1.00"
B	THROUGH FRAME	1/4" GR. 5 SELF-TAPPING/DRILLING SCREW	METAL: 18 GAUGE STEEL, MIN. Fy = 33 KSI	3 THREADS MIN PENETRATION BEYOND METAL	1.00"
C		1/4" ITW TAPCON (CARBON OR STAINLESS STEEL)	3000 PSI CONCRETE MIN.	1.75"	2.50"
D			GROUT FILLED CMU PER ASTM C-90 W/ MIN. F'C=2000 PSI	1.00"	2.50"



CONDADO WINDOW
903RH TODD AVENUE SAN JUAN,
PUERTO RICO 00907
PH: (787)723-5469 FAX: (787)722-1395

TITLE: 325 SERIES DOUBLE HUNG WINDOW WITH INTEGRAL SHUTTER (HVHZ) (IMPACT)

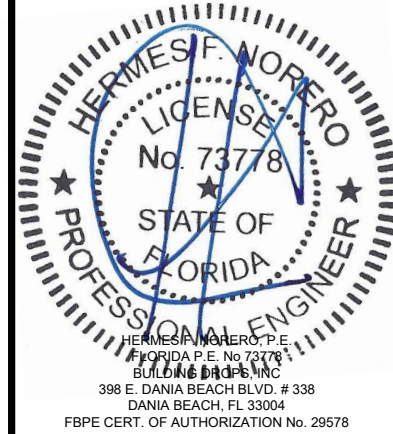
ANCHOR DETAILS, INSTALLATION NOTES & ANCHOR SCHEDULE

PREPARED BY:
BUILDING DROPS, INC.
398 E. DANIA BEACH BLVD., STE. 338
DANIA BEACH, FL 33004
PH: (954)399-8478
FAX: (954)744-4738
WEB: www.buildingdrops.com



REMARKS	BY	DATE

THE INSTALLATION DETAILS DESCRIBED HEREIN ARE GENERIC AND MAY NOT REFLECT ACTUAL CONDITIONS FOR A SPECIFIC SITE. IF SITE CONDITIONS CAUSE INSTALLATION TO DEVIATE FROM THE REQUIREMENTS DETAILED HEREIN, A LICENSED ENGINEER OR ARCHITECT SHALL PREPARE SITE SPECIFIC DOCUMENTS FOR USE WITH THIS DOCUMENT



FL #: **FL40552**

DATE: **11.13.19**

DWG. BY: **LL** CHK. BY: **HFN**

SCALE: **NTS**

DWG. #: **CDW004**

SHEET:
5
OF 5